

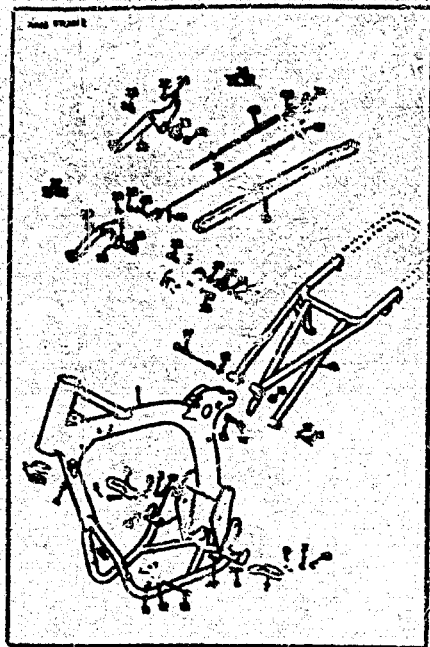
**19886**

**RESERVDELSKATALOG  
SPARE PARTS MANUAL**

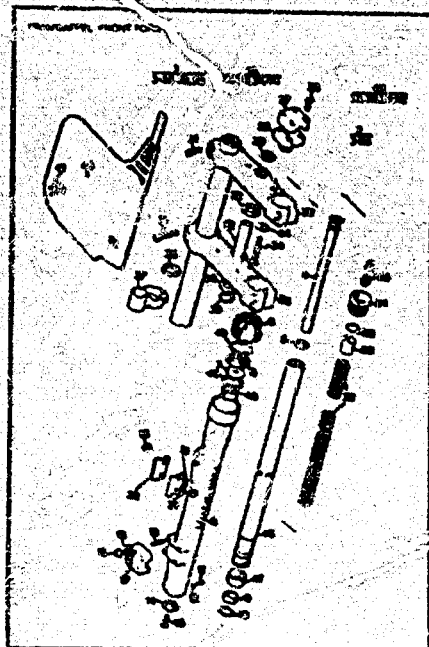




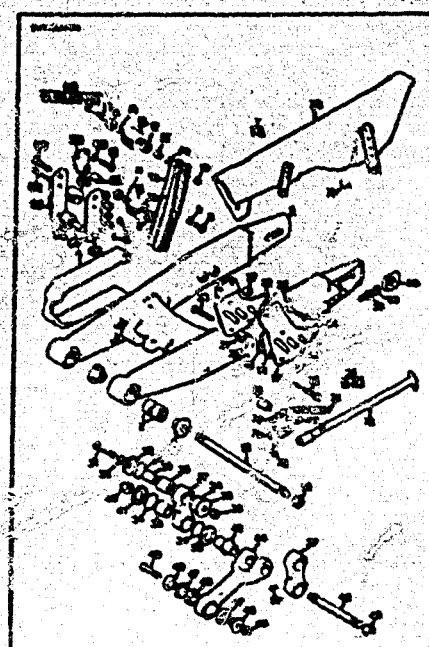
# INDEX



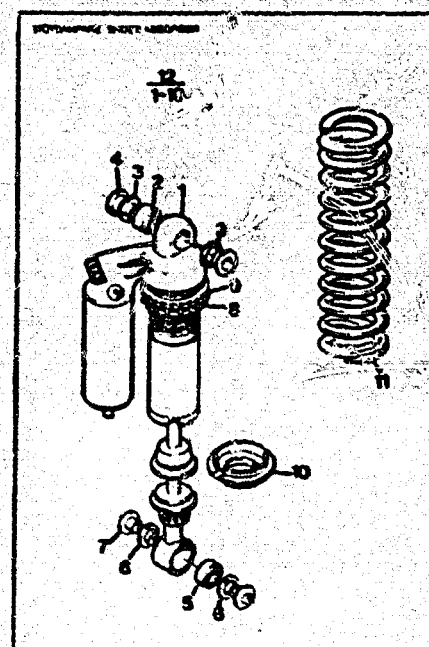
Sida  
Page 2



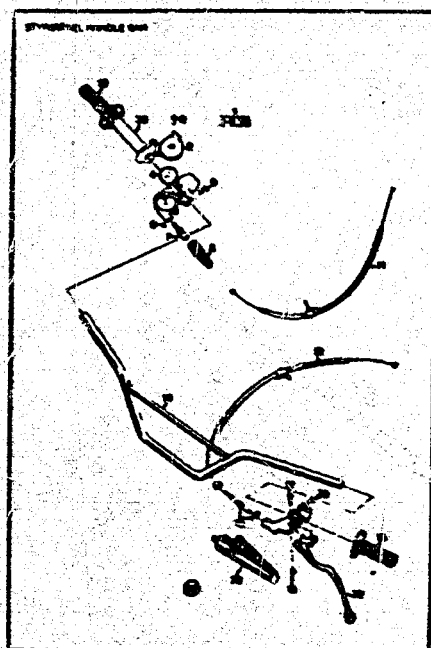
4



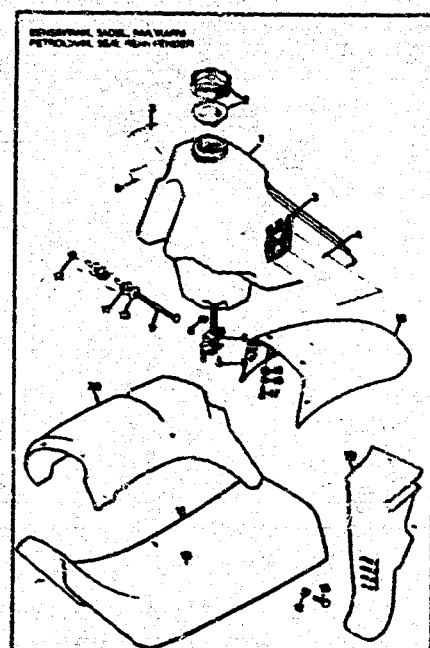
6



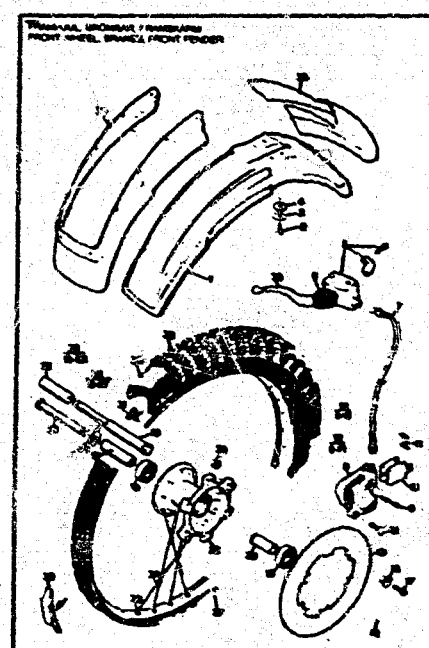
8



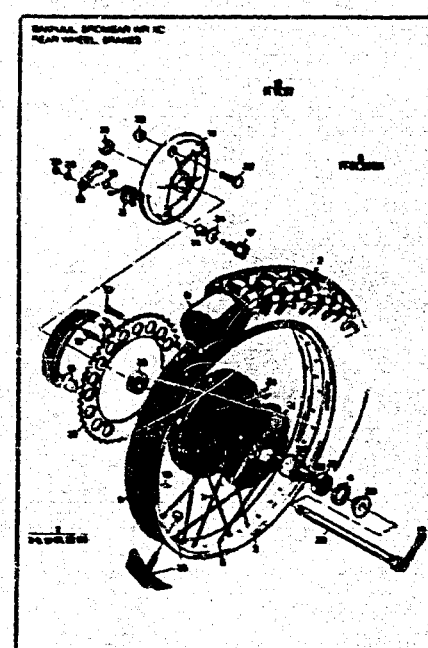
10



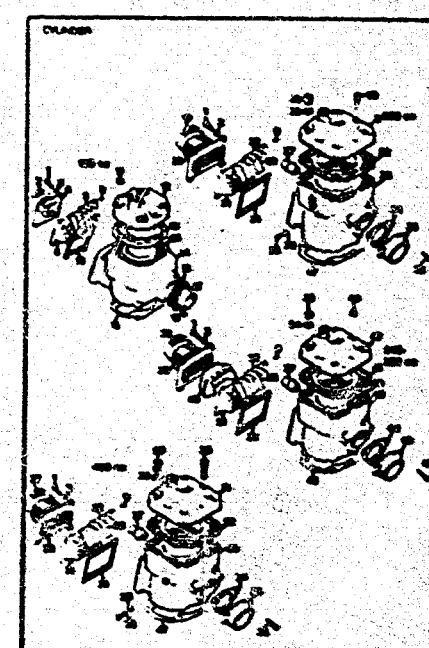
12



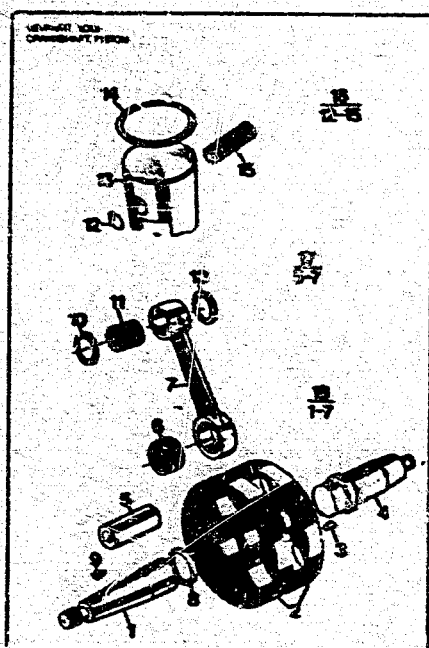
14



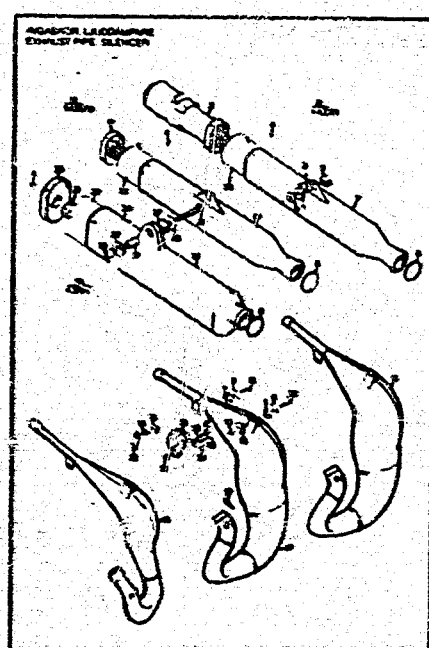
16



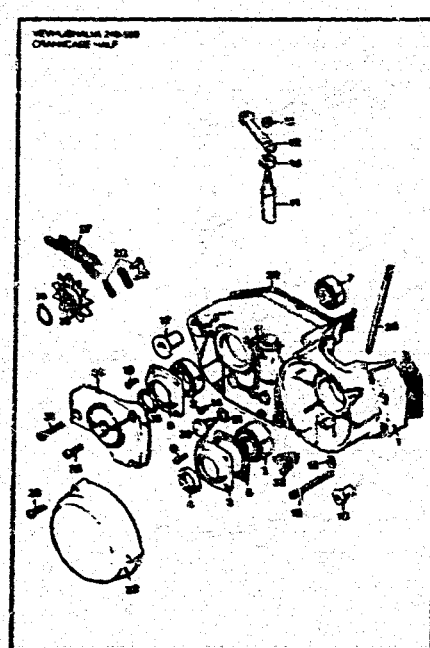
22



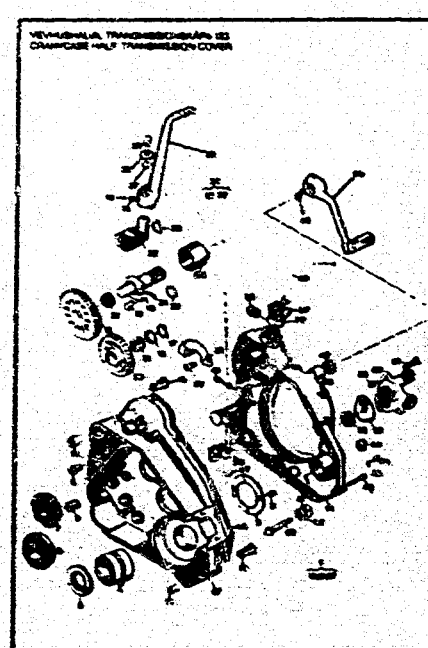
24



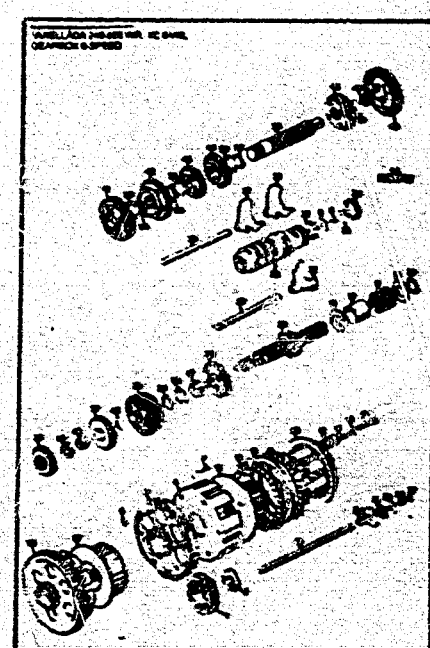
26



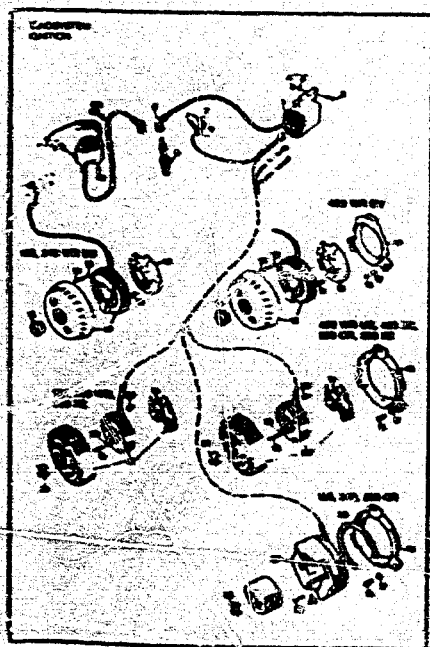
28



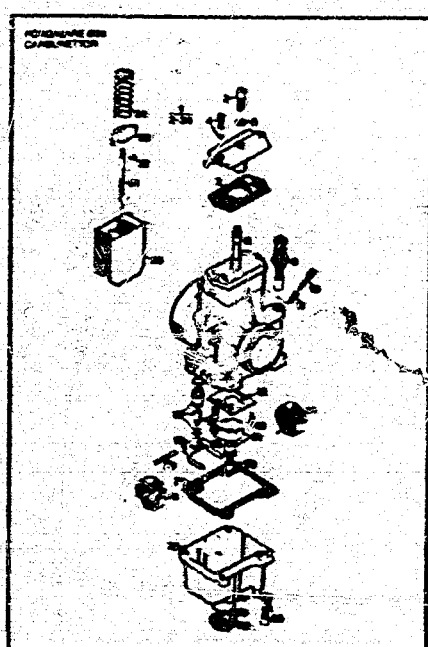
34



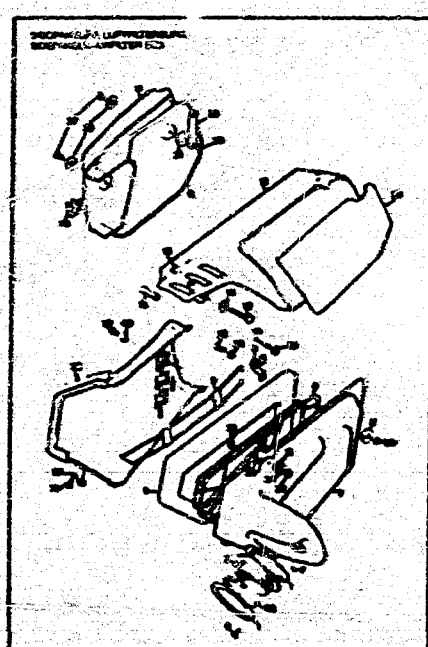
42



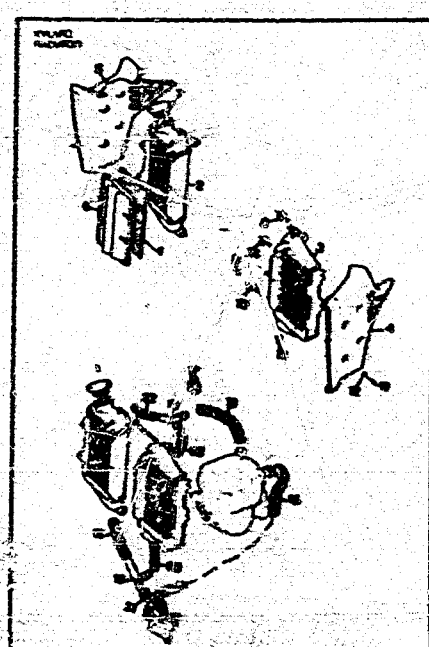
54



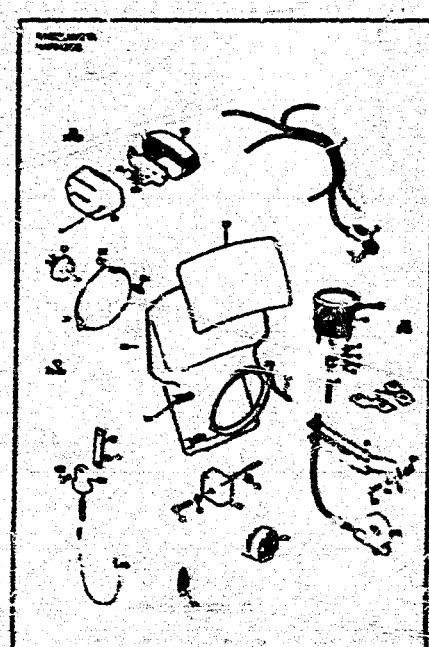
56



74



76



78

## DIMENSIONER OCH BETECKNINGAR

**Skruvar:** Gängdimension x längd (M6 x 30)  
**Muttrar:** Gängdimension (M8)  
**Brickor:** Typ, inre  $\varnothing$  x yttre  $\varnothing$  x tjocklek (FBB 6.4 x 10 x 1)  
**Typer:** FBB = Fjäderbricka, öppen  
FA = Fjäderbricka  
LI = Låsbricka, innertandad

**Kullager:** Fabrikantens beteckning (SKF 6301)

**Tätningar:** Inre  $\varnothing$  x yttre  $\varnothing$  x tjocklek (25 x 42 x 7)

L = Längd

z = Antal kuggar

N = Ny reservdel

Rätt till ändringar förbehålles

## DIMENSIONS AND DISCRIPTIONS

**Screws:** Thread dimensions x length

**Nuts:** Thread dimension

**Washer:** Type, inner  $\varnothing$  x exterior  $\varnothing$  x thickness

**Types:** FBB = Spring washer open

FA = Spring washer

LI = Lock washer, inside indent

**Ball bearings:** Manufactures description

**Sealing rings:** Inner  $\varnothing$  x exterior  $\varnothing$  x thickness

L = Length

z = Numbers of cogs

N = New spare part

Specifications subject to change without notice

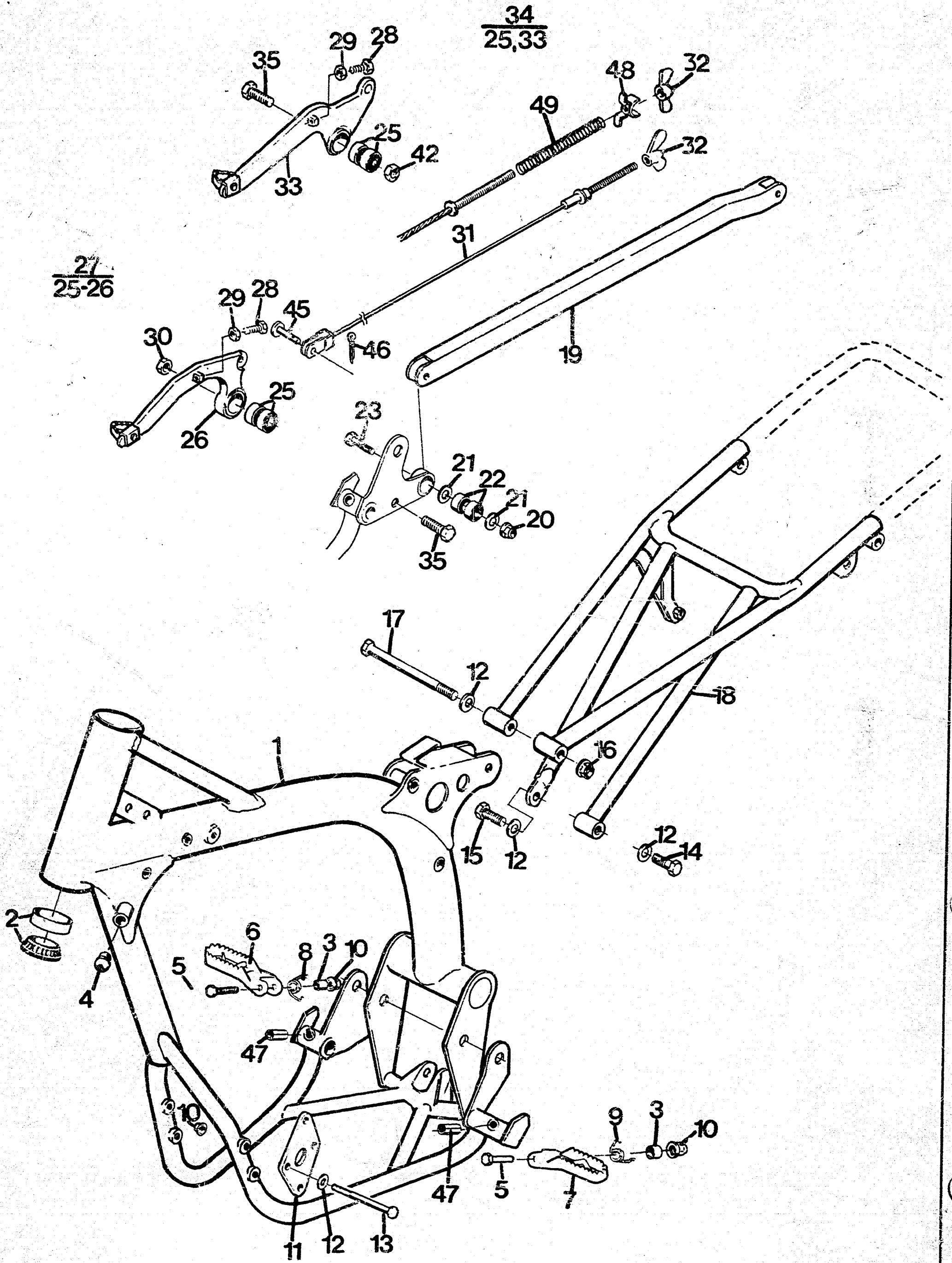




Fig.	Reservdelnummer Sparepart number	Antal - Quantity													Benämning, Description	
		125			240		250			400		500		400		
		CR	WR	XC	CR	WR	CR	WR	XC	EU WR	US WR	CR	XC	XC		
N	1	15 11 430-02	1													Ram. Frame
N		15 11 438-01		1	1											Ram. Frame
N		15 11 430-01				1		1								Ram. Frame
N		15 11 438-03					1	1	1	1	1		1	1		Ram. Frame
	2	15 13 070-01	2	2	2	2	2	2	2	2	2	2	2	2	2	Styrager. Bearing
N	3	15 13 617-01	2	2	2	2	2	2	2	2	2	2	2	2	2	Distans. Spacer
	4	15 19 537-01	4	4	4	4	4	4	4	4	4	4	4	4	4	Propp. Plug
	5	72 52 462-51	2	2	2	2	2	2	2	2	2	2	2	2	2	Bult. Bolt M8 x 55
N	6	15 13 152-01	1	1	1	1	1	1	1	1	1	1	1	1	1	Fotpinne, höger. Foot peg, right
N	7	15 13 156-01	1	1	1	1	1	1	1	1	1	1	1	1	1	Fotpinne, vänster. Foot peg, left
N	8	15 13 158-01	1	1	1	1	1	1	1	1	1	1	1	1	1	Fjäder, höger. Spring left
N	9	15 13 159-01	1	1	1	1	1	1	1	1	1	1	1	1	1	Fjäder, vänster. Spring, left
	10	15 13 707-01	2	2	2	2	2	2	2	2	2	2	2	2	2	Mutter M8. Nut
	11	15 11 276-01	2	2	2											Motorfästplåt Engine mounting plate
		15 11 253-01				2	2	2	2	2	2	2	2	2	2	Motorfästplåt Engine mounting plate
	12	73 41 164-01	9	9	9	9	9	9	9	9	9	9	9	9	9	Bricka. Washer
	13	72 52 472-81	2	2	2	2	2	2	2	2	2	2	2	2	2	Bult M8 x 105. Bolt
		72 52 461-81	4	4	4	4	4	4	4	4	4	4	4	4	4	Bult M8 x 50. Bolt
	14	72 52 461-81	1	1	1	1	1	1	1	1	1	1	1	1	1	Bult M8 x 50. Bolt
	15	72 52 451-51	1	1	1	1	1	1	1	1	1	1	1	1	1	Bult M8 x 20. Bolt
	16	15 13 707-01	1	1	1	1	1	1	1	1	1	1	1	1	1	Mutter M8. Nut
	17	72 52 477-81	1	1	1	1	1	1	1	1	1	1	1	1	1	Bult M8 x 130. Bolt
N	18	15 11 431-01	1			1		1					1			Sadelbrygga. Rearframe
N		15 11 431-02			1				1					1	1	Sadelbrygga. Rearframe
N		15 11 440-01						1		1						Sadelbrygga. Rearframe
N		15 11 440-02		1		1				1						Sadelbrygga. Rearframe
	19	15 15 511-01	1			1		1					1			Bromsiänk. Brake stay arm
	20	73 22 116-01	1			1		1					1			Mutter M6. Nut
	21	73 41 153-41	4			4		4					4			Bricka. Washer
	22	73 82 302-34	2			2		2					2			Lager. Bearing
	23	72 52 374-51	2			2		2					2			Bult M5 x 30. Bolt
	25	73 82 198-04	2	2	2	2	2	2	2	2	2	2	2	2	2	Lager. Bearing
	27	15 15 510-01	1			1		1					1			Bromspedal kpl. med lager Brake lever compl. with bearing
	28	72 52 371-51	1	1	1	1	1	1	1	1	1	1	1	1	1	Skruv M6 x 22. Screw
	29	73 22 116-01	1	1	1	1	1	1	1	1	1	1	1	1	1	Mutter M6. Nut
	30	73 22 118-01	1	1	1	1	1	1	1	1	1	1	1	1	1	Mutter M8. Nut
	31	15 11 303-01	1			1		1					1			Bromswire. Brake cable
		15 11 303-03		1	1	1	1	1	1	1	1	1	1	1	1	Bromswire Brake cable
N	32	15 15 554-01	1	1	1	1	1	1	1	1	1	1	1	1	1	Vingmutter. Wingnut
	34	15 15 528-01			1			1	1		1		1	1	1	Bromspedal kpl. Brake lever compl.
		15 15 550-01		1		1				1						Bromspedal kpl. Brake lever compl.
	35	72 52 455-51	1	1	1	1	1	1	1	1	1	1	1	1	1	Skruv M8 x 30. Screw
	45	15 16 289-01	1	1	1	1	1	1	1	1	1	1	1	1	1	Bult. Bolt
	46	72 16 150-01	1	1	1	1	1	1	1	1	1	1	1	1	1	Pinne. Pin
N	47	15 13 160-01	2	2	2	2	2	2	2	2	2	2	2	2	2	Rörpinne. Bushing
	48	15 16 897-01		1	1			1	1	1	1		1	1	1	Snabbkoppling bromswire Securing plate brakecable
	49	15 16 898-01		1	1			1	1	1	1		1	1	1	Fjäder. Spring







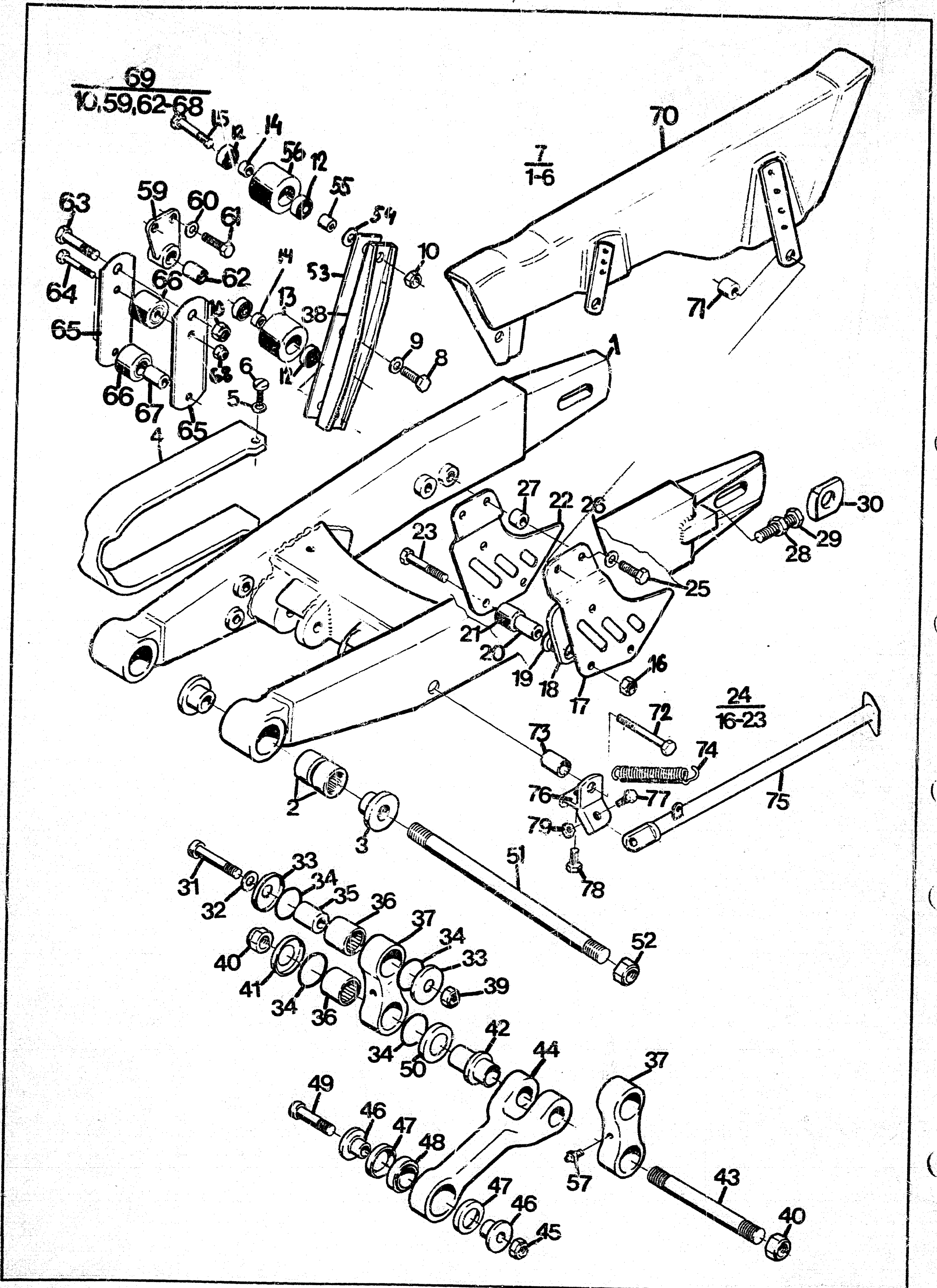




Fig.	Reservdelnummer Sparepart number	Antal - Quantity													Benämning, Description
		125			240		250			400		500		400	
		CR	WR	XC	CR	WR	CR	WR	XC	EU WR	US WR	CR	XC	XC	
2	15 11 277-01	4	4	4	4	4	4	4	4	4	4	4	4	4	Nållager. Needle bearing
3	15 11 278-01	4	4	4	4	4	4	4	4	4	4	4	4	4	Distans. Spacer
4	15 11 289-01	1	1	1	1	1	1	1	1	1	1	1	1	1	Slitskydd. Wear cover
5	73 44 928-01	2	2	2	2	2	2	2	2	2	2	2	2	2	Bricka. Washer
6	72 31 366-01	2	2	2	2	2	2	2	2	2	2	2	2	2	Skruv M3 x 12. Screw
7	15 11 417-01 15 11 417-02	1	1	1	1	1	1	1	1	1	1	1	1	1	Bakgaffel kpl. Swing arm compl. Bakgaffel kpl. Swing arm compl.
8	72 52 451-51	2	2	2	2	2	2	2	2	2	2	2	2	2	Skruv M6 x 15. Screw
9	73 41 164-01	2	2	2	2	2	2	2	2	2	2	2	2	2	Bricka. Washer
10	73 22 118-01	2	2	2	2	2	2	2	2	2	2	2	2	2	Mutter M8. Nut
11	73 44 968-03	2	2	2	2	2	2	2	2	2	2	2	2	2	Bricka. Washer
12	73 82 198-04	4	4	4	4	4	4	4	4	4	4	4	4	4	Lager. Bearing
13	15 11 310-01	1	1	1	1	1	1	1	1	1	1	1	1	1	Rulle. Roller
14	15 11 311-01	2	2	2	2	2	2	2	2	2	2	2	2	2	Distans. Spacer
15	72 52 459-51	2	2	2	2	2	2	2	2	2	2	2	2	2	Skruv M3 x 38. Screw
16	15 13 706-01	3	3	3	3	3	3	3	3	3	3	3	3	3	Mutter M6. Nut
18	15 11 288-01	2	2	2	2	2	2	2	2	2	2	2	2	2	Slitskydd. Wear plate
19	15 11 313-01	6	6	6	6	6	6	6	6	6	6	6	6	6	Distans. Spacer
20	15 11 286-01	3	3	3	3	3	3	3	3	3	3	3	3	3	Distans. Spacer
21	15 11 317-01	3	3	3	3	3	3	3	3	3	3	3	3	3	Rulle. Roller
23	72 52 380-51	3	3	3	3	3	3	3	3	3	3	3	3	3	Skruv M6 x 50. Screw
24	15 11 447-01	1	1	1	1	1	1	1	1	1	1	1	1	1	Kedjestyrares kpl. Chain guide compl.
25	72 52 459-51	2	2	2	2	2	2	2	2	2	2	2	2	2	Skruv M8 x 30. Screw
26	73 41 164-01	2	2	2	2	2	2	2	2	2	2	2	2	2	Bricka. Washer
27	15 15 424-01	2	2	2	2	2	2	2	2	2	2	2	2	2	Distans. Spacer
28	73 14 318-01	2	2	2	2	2	2	2	2	2	2	2	2	2	Mutter M8. Nut
29	72 52 461-71	2	2	2	2	2	2	2	2	2	2	2	2	2	Skruv M8 x 50. Screw
30	15 16 867-01	2	2	2	2	2	2	2	2	2	2	2	2	2	Spännbricka. Washer
31	72 55 502-51 72 52 509-81	2	1	1	2	1	2	1	1	1	1	2	1	1	Skruv M10 x 60. Screw Skruv M10 x 90. Screw
32	73 41 171-01	2	1	1	2	1	2	1	1	1	1	2	1	1	Bricka. Washer
33	15 11 241-01	4	4	4	4	4	4	4	4	4	4	4	4	4	Skyddsbricka. Washer
34	15 11 242-01	8	8	8	8	8	8	8	8	8	8	8	8	8	X-ring
35	15 11 240-01	2	2	2	2	2	2	2	2	2	2	2	2	2	Distans. Spacer
36	15 11 428-01	4	4	4	4	4	4	4	4	4	4	4	4	4	Nållager. Needle bearing
37	15 11 427-01	2	2	2	2	2	2	2	2	2	2	2	2	2	Länk. Link
38	15 11 312-02 15 11 395-02	1	1	1	1	1	1	1	1	1	1	1	1	1	Fästplåt. Mounting plate Fästplåt. Mounting plate
39	73 22 120-01	2	2	2	2	2	2	2	2	2	2	2	2	2	Mutter M10. Nut
40	15 11 249-01	2	2	2	2	2	2	2	2	2	2	2	2	2	Mutter M14 x 1.25. Nut
41	15 11 241-02	2	2	2	2	2	2	2	2	2	2	2	2	2	Skyddsbricka. Washer
42	15 11 243-01	2	2	2	2	2	2	2	2	2	2	2	2	2	Distans. Spacer
43	15 11 248-02	1	1	1	1	1	1	1	1	1	1	1	1	1	Axel. Shaft
44	15 11 254-01	1	1	1	1	1	1	1	1	1	1	1	1	1	Länk. Link
45	15 13 705-01	1	1	1	1	1	1	1	1	1	1	1	1	1	Mutter M12. Nut
46	15 11 258-01	2	2	2	2	2	2	2	2	2	2	2	2	2	Distans. Spacer
47	15 11 257-01	2	2	2	2	2	2	2	2	2	2	2	2	2	Tätning. Seal
48	15 11 258-01	1	1	1	1	1	1	1	1	1	1	1	1	1	Kullad. Ball joint
49	15 11 244-01	1	1	1	1	1	1	1	1	1	1	1	1	1	Skruv M12 x 1. Screw
50	15 11 241-03	2	2	2	2	2	2	2	2	2	2	2	2	2	Skyddsbricka. Washer
51	15 11 248-01	1	1	1	1	1	1	1	1	1	1	1	1	1	Axel. Shaft
52	15 11 249-01	2	2	2	2	2	2	2	2	2	2	2	2	2	Mutter. Nut
53	15 11 452-01	1	1	1	1	1	1	1	1	1	1	1	1	1	Slitskydd. Wear plate
54	15 11 313-02	2	2	2	2	2	2	2	2	2	2	2	2	2	Bricka. Washer
55	15 11 453-01	2	2	2	2	2	2	2	2	2	2	2	2	2	Distans. Spacer
56	15 11 310-02	1	1	1	1	1	1	1	1	1	1	1	1	1	Rulle. Roller
57	73 88 810-01	2	2	2	2	2	2	2	2	2	2	2	2	2	Smörnippel. Grease fitting
58	15 17 850-01 15 17 850-02 15 17 850-03	2	2	2	2	2	2	2	2	2	2	2	2	2	Decal Enduro. Decal Decal Cross Country. Decal Decal Motocross. Decal
59	15 15 500-01	1	1	1	1	1	1	1	1	1	1	1	1	1	Fäste kedjestyrares. Att. chain guide
60	73 41 164-01	2	2	2	2	2	2	2	2	2	2	2	2	2	Bricka. Washer

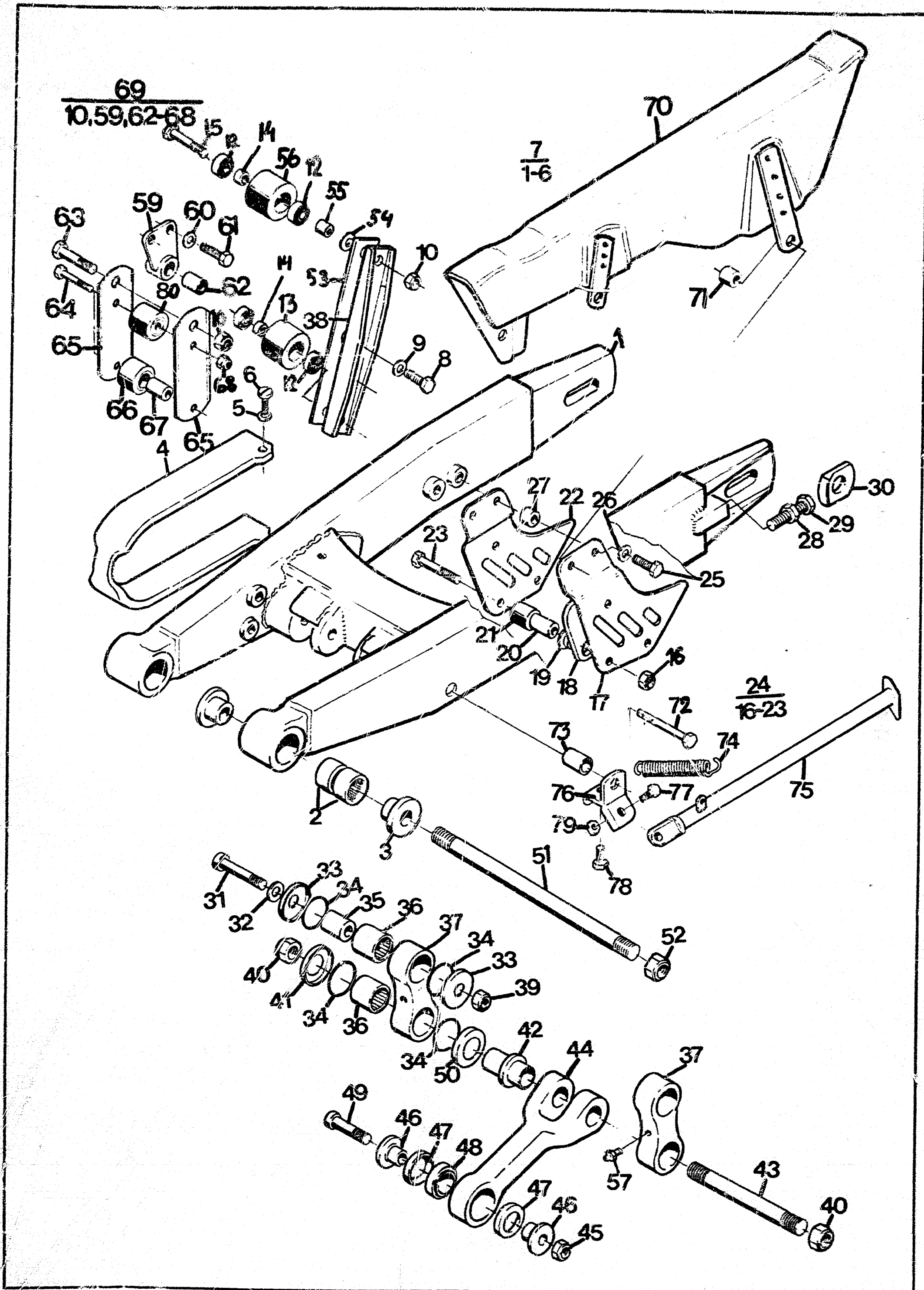




Fig.	Reservdelnummer Sparepart number	Antal - Quantity													Benämning, Description	
		125			240		250			400		500		400		
		CR	WR	XC	CA	WR	CR	WR	XC	EU WR	US WR	CR	XC	XC		
61	72 52 451-51		2			2		2		2	2					Skriv M8 x 20. Screw
62	15 15 506-01		1			1		1		1	1					Bushing, Bushing
63	72 52 457-51		1			1		1		1	1					Skriv M8 x 35. Screw
64	72 52 376-51		2			2		2		2	2					Skriv M8 x 35. Screw
66	15 11 31 01		2			2		2		2	2					Rulla, Roller
67	15 15 410-01		2			2		2		2	2					Distans, Spacer
69	73 22 116-01		2			2		2		2	2					Mutter M8. Nut.
69	15 15 505-01		1			1		1		1	1					Kedjestyre kpl. Chain guide compl.
70	15 18 227-02		1			1		1		1	1					Kedjestydd Chainguard
71	15 15 457-01		1			1		1		1	1					Distans, Spacer
72	72 52 509-81		1	1		1		1	1	1	1		1	1		Skriv M10 x 90. Screw
73	15 15 542-01		1			1		1		1	1					Distans, Spacer
	15 15 542-02			1				1					1	1		Distans, Spacer
74	15 10 442-02		1	1		1		1	1	1	1		1	1		Fjäder, Spring
75	15 10 604-04		1	1		1		1	1	1	1		1	1		Parkeringsstöd Parking rest
76	15 15 553-01		1	1		1		1	1	1	1		1	1		Fäste, Attachment
77	72 52 455-51		1	1		1		1	1	1	1		1	1		Skriv M8 x 30. Screw
78	72 52 451-51		1	1		1		1	1	1	1		1	1		Skriv M8 x 20. Screw
79	15 13 707-01		1	1		1		1	1	1	1		1	1		Mutter M8. Nut

12  
1-10

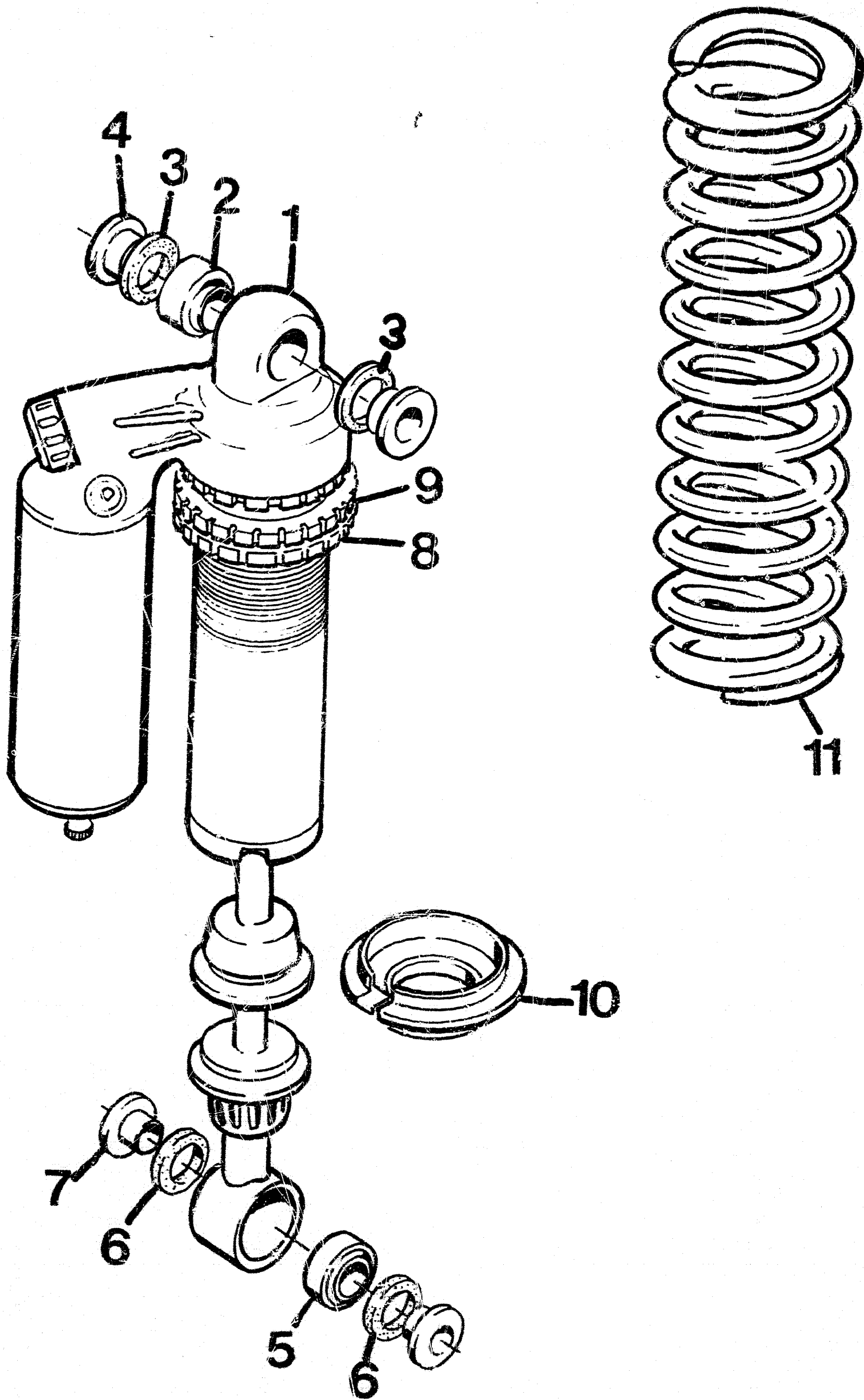




Fig.	Reservdelnummer Sparepart number	Antal - Quantity													Benämning, Description
		125			240		250			400		500		400	
		CR	WR	XC	CR	WR	CR	WR	XC	WR	WR	CR	XC	XC	
2	15 11 332-01	1		1	1			1		1			1	1	Kullad, Ball Joint
3	15 11 334-01	2		2	2			2		2			2	2	Tätning, Seal
4	15 11 333-01	2		2	2			2		2			2	2	Distans, Spacer
5	15 11 256-01	1		1	1			1		1			1	1	Kullad, Ball Joint
6	15 11 257-01	2		2	2			2		2			2	2	Tätning, Seal
7	15 11 258-02	2		2	2			2		2			2	2	Distans, Spacer
8	15 11 329-01	1		1	1			1		1			1	1	Justermutter, Preload adjuster
9	15 11 328-01	1		1	1			1		1			1	1	Justermutter, Preload adjuster
10	15 11 331-01	1		1	1			1		1			1	1	Fjäderslip, Springclip
N	11 15 11 325-05	1	1	1											Fjäder 5N/mm <sup>2</sup> svart, vit, svart. Spring black, white, black
N	15 11 325-06					1		1	1	1					Fjäder 6.0N/mm <sup>2</sup> blå, violett, blå. Spring blue, purple, blue
N	15 11 325-07									1	1	1	1	1	Fjäder 6.2N/mm <sup>2</sup> blå, svart, blå. Spring blue, black, blue
N	15 11 325-08														Fjäder 6.4N/mm <sup>2</sup> blå, blå, blå. blue, blue, blue
N	15 11 325-04														Fjäder 5.6N/mm <sup>2</sup> Svart, röd, svart. Spring black, red, black
N	12 15 11 460-01	1		1	1			1		1					Stötdämpare utan fjäder. Shock absorber without spring
N	15 11 460-02												1	1	Stötdämpare utan fjäder Shock absorber without spring
N	15 11 460-03			1				1		1					Stötdämpare utan fjäder Shock absorber without spring
N	15 11 460-03									1	1				Stötdämpare utan fjäder Shock absorber without spring

**H** Husqvarna  
STYRSTÅNG, HANDLE BAR

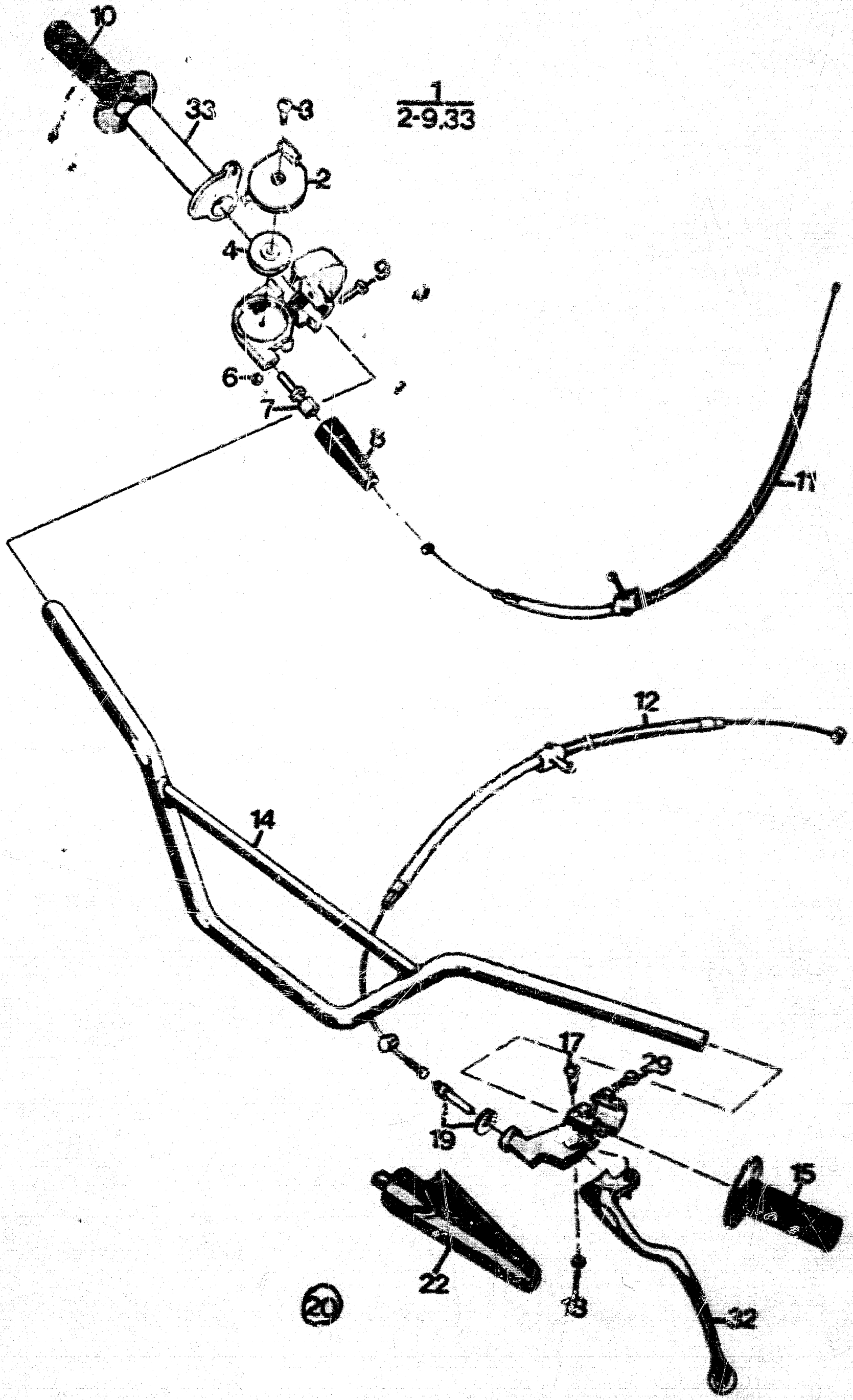


Fig.	Reservdelsnummer Sparepart number	Antal - Quantity													Benämning, Description
		125			240		250			400		500		400	
		CR	WR	XC	CR	WR	CR	WR	XC	EU WR	US WR	CR	XC	XC	
1	15 15 325-01	1	1	1	1	1	1	1	1	1	1			1	Gashandtag, kpl. Throttle handle compl.
	15 15 325-02											1	1		Gashandtag, kpl. Throttle handle compl.
2	15 15 326-01	1	1	1	1	1	1	1	1	1	1	1	1	1	Skyddslock Protect washer
3	15 15 322-01	1	1	1	1	1	1	1	1	1	1	1	1	1	Skruv Screw
4	15 15 263-01	1	1	1	1	1	1	1	1	1	1	1	1	1	Brytrulle Plastic roller
6	73 22 112-01	1	1	1	1	1	1	1	1	1	1	1	1	1	Låsmutter M4 Nut
7	15 15 261-01	1	1	1	1	1	1	1	1	1	1	1	1	1	Justernippel Nipple
8	15 15 262-01	1	1	1	1	1	1	1	1	1	1	1	1	1	Skyddshylsa Protecting sleeve
9	72 31 329-51	2	2	2	2	2	2	2	2	2	2	2	2	2	Skruv M5 x 16 Screw
10	15 15 266-01	1	1	1	1	1	1	1	1	1	1	1	1	1	Gummihandtag, höger Rubber handle right
11	15 15 277-01 15 15 277-02	1	1	1	1	1	1	1	1	1		1	1		Gaswire, kpl. Throttle wire
12	15 15 308-03 15 15 308-02	1	1	1	1	1	1	1	1	1	1	1	1	1	Frikopplingswire, kpl. Declutching wire
14	15 13 148-01	1	1	1	1	1	1	1	1	1	1	1	1	1	Styrstång Handle bar
15	15 15 265-01	1	1	1	1	1	1	1	1	1	1	1	1	1	Gummihandtag, vänster Rubber handle left
17	12 13 810-01	1	1	1	1	1	1	1	1	1	1	1	1	1	Ansatsskruv Screw
18	73 14 316-01	1	1	1	1	1	1	1	1	1	1	1	1	1	Mutter Nut
19	12 13 821-01	1	1	1	1	1	1	1	1	1	1	1	1	1	Kabelspännskruv Cable adjusting screw
20	15 15 314-01	1	1	1	1	1	1	1	1	1	1	1	1	1	Kopplingshandtag, kpl. Declutching handle compl.
22	15 13 074-01	1	1	1	1	1	1	1	1	1	1	1	1	1	Handtagsskydd Handle protector
29	72 31 368-01	2	2	2	2	2	2	2	2	2	2	2	2	2	Skruv Screw
30	15 15 809-01	1	1	1	1	1	1	1	1	1	1	1	1	1	Hållare Ventilations slang Holder Ventilation hose



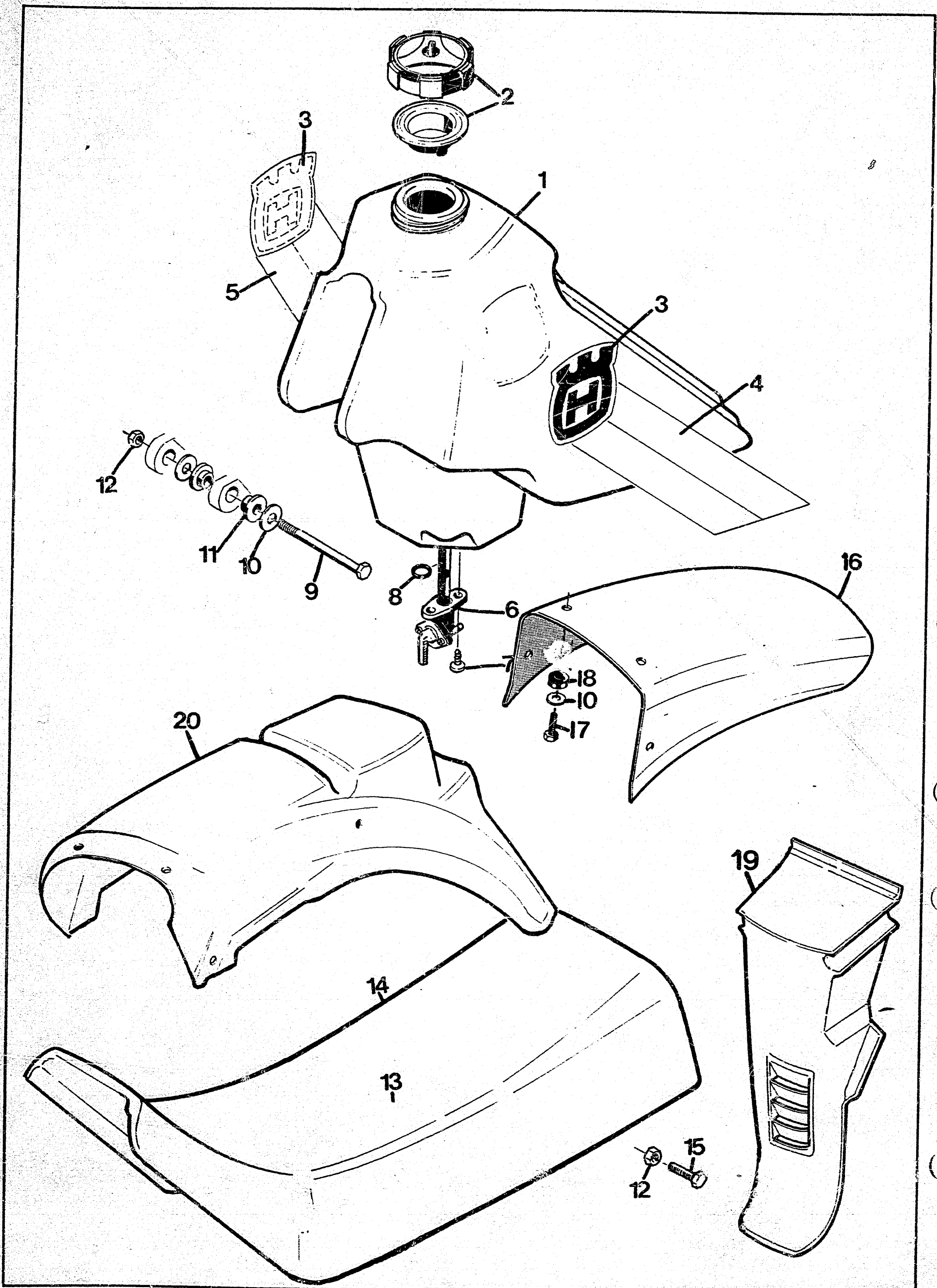


Fig.	Reservdelsnummer Sparepart number	Antal - Quantity													Benämning, Description	
		125			240		250			400		500		400		
		CR	WR	XC	CR	WR	CR	WR	XC	EU WR	US WR	CR	XC	XC		
N	1	15 13 935-01	1	1	1	1	1	1			1		1			Bensintank. Petrol tank
N		15 13 935-02						1	1		1		1	1		Bensintank. Petrol tank
	2	15 14 108-01	1	1	1	1	1	1	1	1	1	1	1	1		Tanklock. Cap
	3	15 14 120-02	2	2	2	2	2	2	2	2	2	2	2	2		Dekal. Decal
N	4	15 15 833-01	1	1	1	1	1	1			1		1			Dekal. Decal
N		15 15 835-01	1	1	1	1	1	1			1		1			Dekal. Decal
N	5	15 15 831-01						1	1		1		1	1		Dekal. Decal
N		15 15 830-01						1	1		1		1	1		Dekal. Decal
	6	15 14 109-01	1	1	1	1	1	1	1	1	1	1	1	1		Bensinkan. Petlock
	7	15 14 110-01	2	2	2	2	2	2	2	2	2	2	2	2		Skruv. Screw
	8	74 04 811-02	1	1	1	1	1	1	1	1	1	1	1	1		O-ring
N	9	15 13 747-01	1	1	1	1	1	1	1	1	1	1	1	1		Skruv M6 x 160. Screw
	10	15 13 709-01	2	2	2	2	2	2	2	2	2	2	2	2		Bricka. Washer
	11	15 14 107-01	4	4	4	4	4	4	4	4	4	4	4	4		Elussning. Bushing
	12	15 13 706-01	3	3	3	3	3	3	3	3	3	3	3	3		Mutter. Nut
	13	15 13 581-01	1	1	1	1	1	1	1	1	1	1	1	1		Sadel. Seat
	14	15 13 582-01														Sadelöverdrag. Seat cover
	15	72 52 374-51	2	2	2	2	2	2	2	2	2	2	2	2		Skruv M6 x 30. Screw
	16	15 13 587-01	1		1	1		1		1		1	1	1		Bakskärm. Fender
	17	72 52 370-53	4	4	4	4	4	4	4	4	4	4	4	4		Skruv M6 x 20. Screw
	18	15 18 121-01	4	4	4	4	4	4	4	4	4	4	4	4		Gummibricka. Rubber washer
N	19	15 13 746-01	1	1	1	1	1	1	1	1	1	1	1	1		Stänkskydd. Splash guard
N	20	15 18 193-01		1			1		1		1		1	1		Bakskärm. Fender

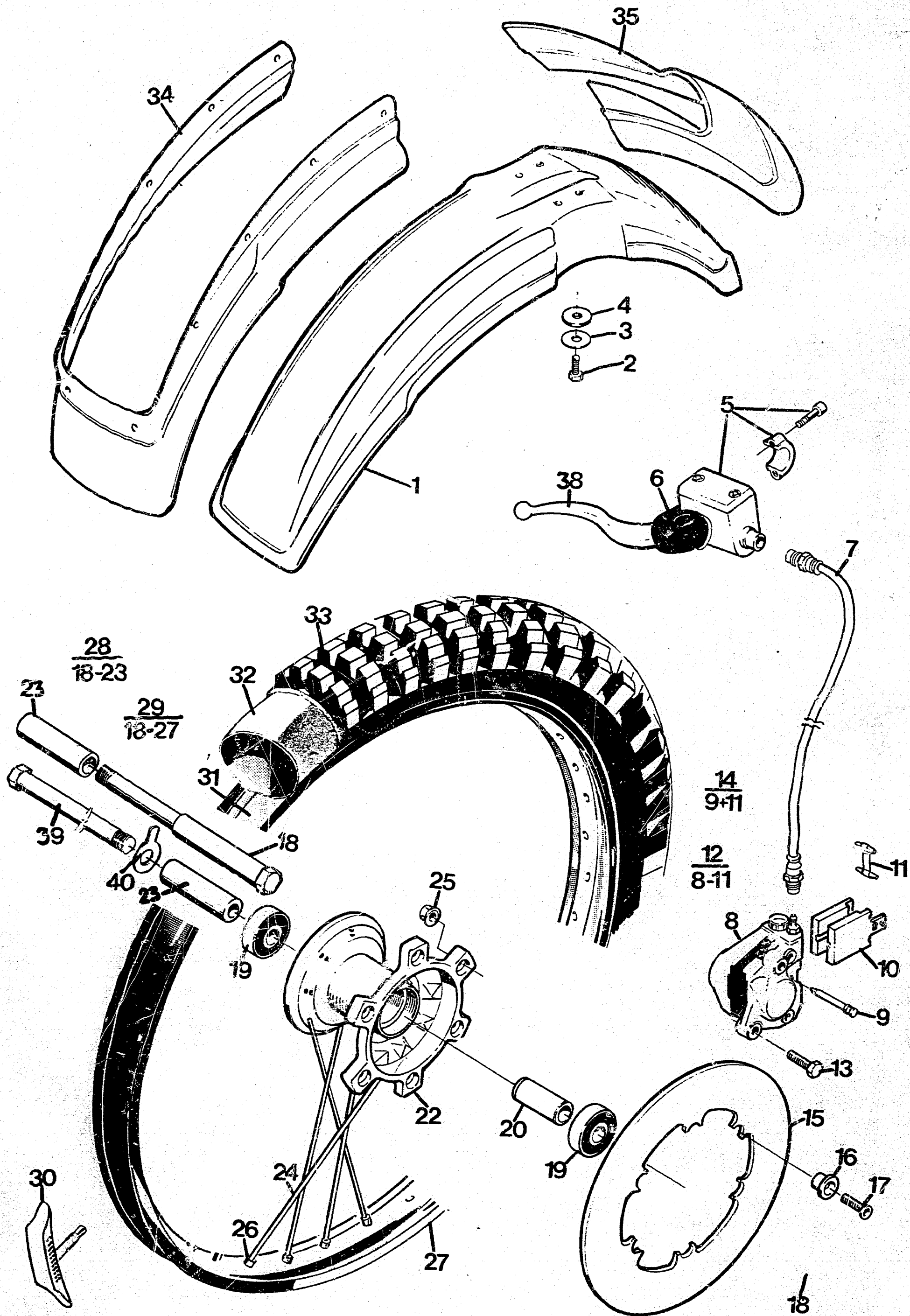
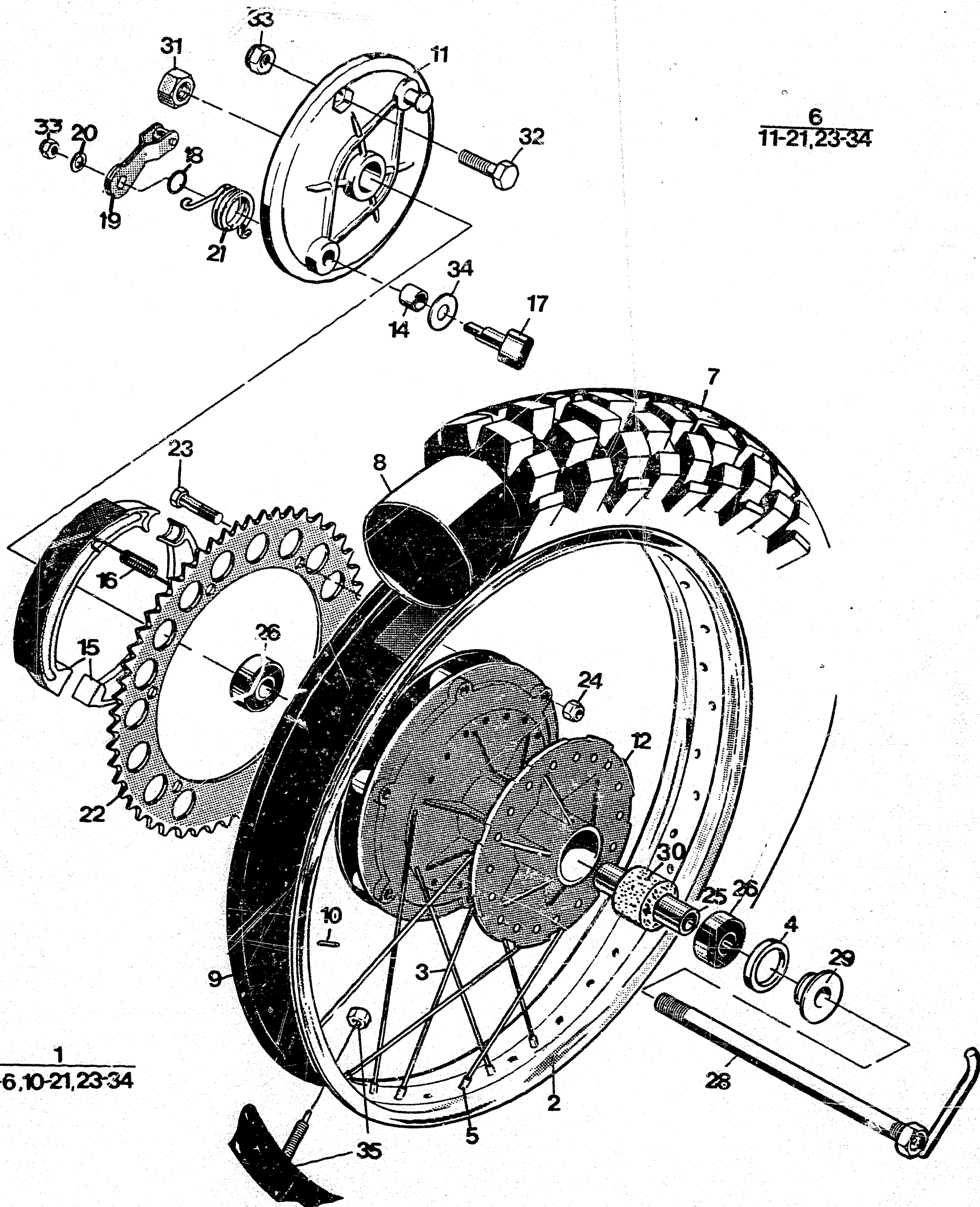




Fig.	Reservdelsnummer Sparepart number	Antal - Quantity													Benämning, Description:
		125			240		250			400		500		400	
		CR	WR	XC	CR	WR	CR	WR	XC	EU WR	US WR	CR	XC	XC	
1	15 18 047-02	1	1	1	1	1	1	1	1	1	1	1	1	1	Skärm, Fender
2	72 55 372-01	4	4	4	4	4	4	4	4	4	4	4	4	4	Skruv M6 x 25, Screw
3	15 13 709-01	8	8	8	8	8	8	8	8	8	8	8	8	8	Bricka, Washer
4	15 18 121-01	8	8	8	8	8	8	8	8	8	8	8	8	8	Gummibricka, Rubber washer
5	15 16 343-01 15 16 353-01	1	1	1	1	1	1	1	1	1	1	1	1	1	Huvudcylinder, Master cylinder Huvudcylinder Europa, fäste för bromsljuskontakt Master cylinder Europe, Attach- ment for brakelight switch
6	15 16 345-01	1	1	1	1	1	1	1	1	1	1	1	1	1	Bälg, Cover
7	15 16 332-01 15 16 332-02	1	1	1	1	1	1	1	1	1	1	1	1	1	Bromsslang, Brake hose Bromsslang, Brake hose
10	15 16 328-01	2	2	2	2	2	2	2	2	2	2	2	2	2	Bromsbelägg, Brake pads
12	15 16 327-01	1	1	1	1	1	1	1	1	1	1	1	1	1	Bromscylinder KPL, Brake cylinder compl.
13	15 13 741-01	2	2	2	2	2	2	2	2	2	2	2	2	2	Skruv M8 x 25, Screw
14	15 17 791-01	1	1	1	1	1	1	1	1	1	1	1	1	1	Låspinnetsats, Lockpin kit
15	15 16 325-01	1	1	1	1	1	1	1	1	1	1	1	1	1	Bromsskiva, Disc
16	15 16 326-01	6	6	6	6	6	6	6	6	6	6	6	6	6	Distans, Spacer
17	72 56 374-55	6	6	6	6	6	6	6	6	6	6	6	6	6	Skruv M6 x 30, Screw
18	15 16 338-01	1	1	1	1	1	1	1	1	1	1	1	1	1	Axel, Shaft
19	72 82 302-34	2	2	2	2	2	2	2	2	2	2	2	2	2	Lager, Bearing
20	15 16 350-01	1	1	1	1	1	1	1	1	1	1	1	1	1	Distans, Spacer
N 22	15 16 324-01	1	1	1	1	1	1	1	1	1	1	1	1	1	Navhylsa, Hub sleeve
23	15 16 342-01	1	1	1	1	1	1	1	1	1	1	1	1	1	Mutter, Nut
24	15 16 321-01	36	36	36	36	36	36	36	36	36	36	36	36	36	Eker, Spoke
25	15 13 706-01	6	6	6	6	6	6	6	6	6	6	6	6	6	Mutter M6, Nut
26	15 16 219-01	36	36	36	36	36	36	36	36	36	36	36	36	36	Nippel
27	15 16 320-01	1	1	1	1	1	1	1	1	1	1	1	1	1	Fälg 1.60 x 21, Rim
28	15 16 323-01	1	1	1	1	1	1	1	1	1	1	1	1	1	Framnav KPL, Front hub compl.
29	15 16 319-01	1	1	1	1	1	1	1	1	1	1	1	1	1	Framhjul KPL, Front wheel compl.
30	15 16 144-01	1	1	1	1	1	1	1	1	1	1	1	1	1	Däcklås, Rimlock
31	15 16 029-01	1	1	1	1	1	1	1	1	1	1	1	1	1	Fälgband, Rimband
32	15 16 028-01	1	1	1	1	1	1	1	1	1	1	1	1	1	Innerslang, Tube
N 33	15 16 907-01 15 16 257-01	1	1	1	1	1	1	1	1	1	1	1	1	1	Däck 90/90x21 Metzeler MXR Däck 3.00 x 21 Trelleborg Deep Grip
34	15 18 050-01														Skärmbreddare, Widener
35	15 18 049-01														Skärmiångare, Lengthener
36	15 17 780-01														Ekersats, Spoke kit
37	15 19 902-01														Nippelsats, Nipple kit
38	15 16 346-02 15 16 357-01	1	1	1	1	1	1	1	1	1	1	1	1	1	Bromshandtag, Brake handle Bromshandtag, Brake handle
39	15 16 351-01		1			1		1		1	1				Axel, Shaft
40	15 16 355-01		1			1		1		1	1				Låsbricka, Washer
41	15 16 347-01	1	1	1	1	1	1	1	1	1	1	1	1	1	Skydd skivbroms Discbrake cover

13  
11,14,21

6  
11-21,23-34



1  
2-6,10-21,23-34

Fig.	Reservdelsnummer Sparepart number	Antal - Quantity													Benämning, Description	
		125			240		250			400		500		400		
		CR	WR	XC	CR	WR	CR	WR	XC	EU WR	US WR	CR	XC	XC		
1	15 16 888-01 15 16 888-03		1	1		1		1	1		1	1		1	1	Hjul, kpl. exkl. gummi Wheel compl. exkl. rubber
2	15 16 827-01		1	1				1			1	1			1	Fälg. Rim
3	15 16 828-02			36		36			36					36		Eker. Spoke
4	15 13 718-01		1	1		1		1	1		1	1		1	1	Tätning. Seal
5	15 16 829-01		36	36		36		36	36		36	36		36	36	Ekernippel. Spoke nipple
N 6	15 18 889-01		1	1		1		1	1		1	1		1	1	Baknav kpl. utan kedjedrev Rear hub compl.
7	15 16 839-01		1			1										Däck 4.50 x 18 Trelleborg Tenmas- ter. Tyre
	15 16 900-01			1												Däck 4.10 x 18 Metzeler Multi Cross. Tyre
	15 16 883-01							1	1							Däck 4.50 x 18 Metzeler motocross. Tyre
	15 16 848-01								1							Däck 5.00 18 Trelleborg Tenmaster. Tyre
	15 16 885-01											1		1	1	Däck 4.50 x 18 Metzeler Multi Cross. Tyre
8	15 16 508-01		1	1		1		1	1		1	1		1	1	Innerslang 18". Innertube
9	15 16 029-01		1	1		1		1	1		1	1		1	1	Fälgband. Rimband
12	15 16 854-01		1	1		1		1	1		1	1		1	1	Navhylsa. Hub sleeve
13	15 16 891-01		1	1		1		1	1		1	1		1	1	Bromssköld, kpl. Brake plate compl.
14	15 16 837-01		1	1		1		1	1		1	1		1	1	Bussning. Bushing
15	15 16 543-01		1	1		1		1	1		1	1		1	1	Bromsback kpl. Brake shoe
16	15 16 547-01		2	2		2		2	2		2	2		2	2	Fjäder. Spring
17	15 16 886-01		1	1		1		1	1		1	1		1	1	Bromsexcenter Brake cam
18	15 16 299-01		1	1		1		1	1		1	1		1	1	O-ring
19	15 16 723-02		1	1		1		1	1		1	1		1	1	Hävarm. Lever
20	73 41 164-01		1	1		1		1	1		1	1		1	1	Bricka 8.4 x 17. Washer
21	15 15 535-01		1	1		1		1	1		1	1		1	1	Fjäder. Spring
N 22	15 16 892-01		1			1			1							Kedjekrans z=48. Sprocket
	15 16 892-03			1				1	1					1	1	Kedjekrans z=52. Sprocket
	15 16 892-02															Kedjekrans z=50. Sprocket
	15 16 892-04															Kedjekrans z=54. Sprocket
	15 16 892-05															Kedjekrans z=56. Sprocket
23	15 16 893-01		6	6		6		6	6		6	6		6	6	Skruv. Screw
24	73 22 118-01		6	6		6		6	6		6	6		6	6	Låsnutter. Nut
25	15 16 752-01		1	1		1		1	1		1	1		1	1	Distanshylsa. Distance sleeve
26	73 82 302-34		2	2		2		2	2		2	2		2	2	Kullager. Ball bearing
28	15 15 540-01		1	1		1		1	1		1	1		1		Bakaxel kpl. Shaft
29	15 16 866-01		1	1		1		1	1		1	1		1	1	Distans. Spacer
30	15 16 300-01		1	1		1		1	1		1	1		1	1	Distanshållare Space holder
31	15 16 598-01		1	1		1		1	1		1	1		1	1	Mutter. Nut
34	15 16 836-01		1	1		1		1	1		1	1		1	1	Bricka. Washer
35	15 16 772-01			2					2					2	2	Däcklås. Tyre lock
	15 19 952-01		36	36		36		36	36		36	36		36	36	Ekersats. Spoke unit
	15 19 938-01		36	36		36		36	36		36	36		36	36	Nippelsats 36 st. Nipple kit 36 pcs



$\frac{1}{2-6}$   
 $\frac{6}{12-22,24-35}$   
 $\frac{13}{14-16,35}$

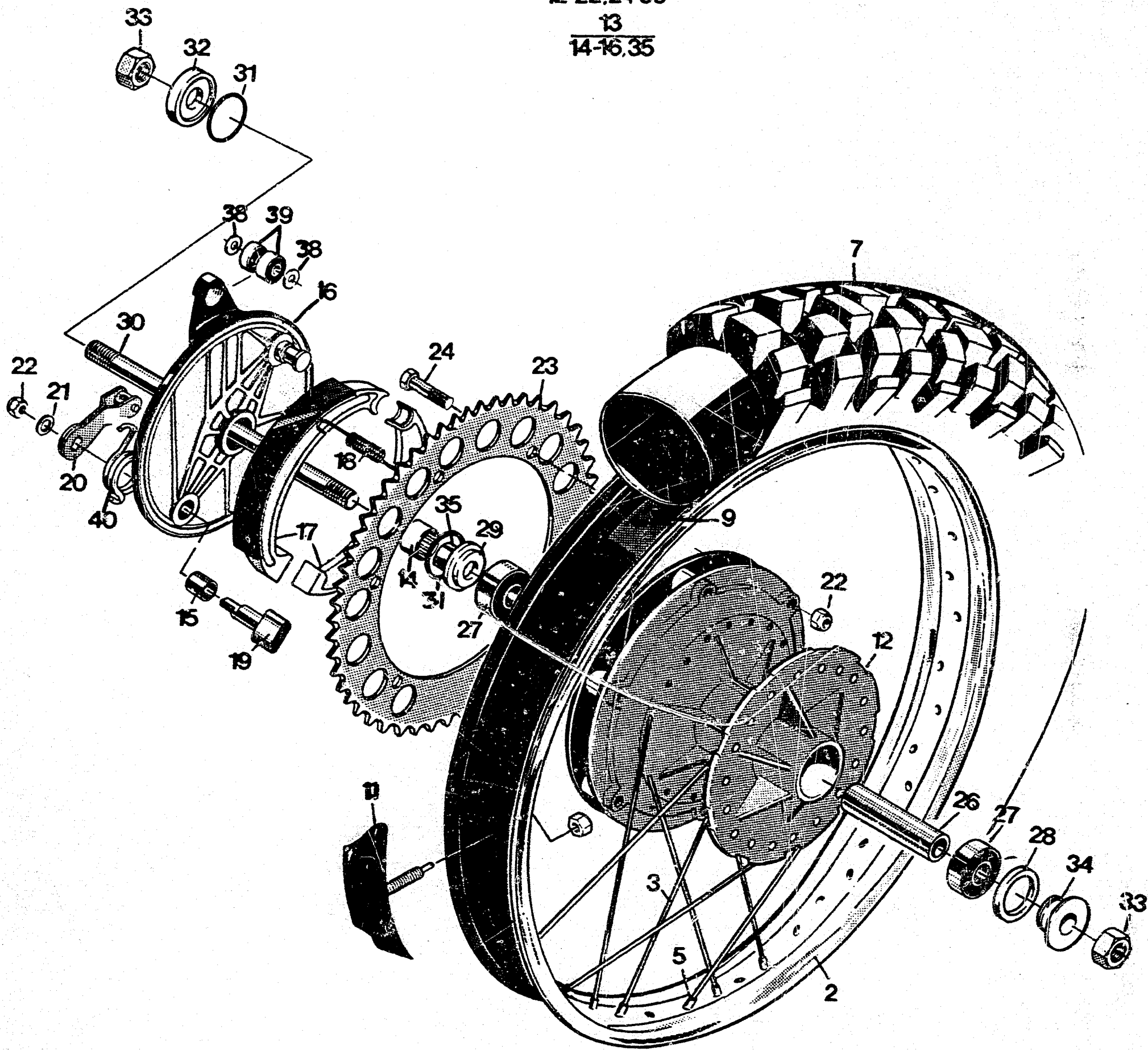


Fig.	Reservdelsnummer Sparepart number	Antal - Quantity													Benämning, Description
		125			240		250			400		500		400	
		CR	WR	XC	CR	WR	CR	WR	XC	EU WR	US WR	CR	XC	XC	
1	15 17 812-01 15 17 813-01	1			1		1						1		Hjul, kpl. exkl gummi Wheel compl. excl. rubber
2	15 16 827-01 15 16 872-01	1			1		1						1		Fälg Rim
3	15 16 828-02	36			36		36						36		Eker. Spoke
5	15 16 829-01	36			36		36						36		Ekarnippel. Spoke nipple
6	15 17 809-01	1			1		1						1		Baknav, kpl. utan kedjedrev Rear hub compl.
N 7	15 16 903-01	1			1		1								Däck 4.60 x 18" Metzeler Perfect cross hard, tyre
N	15 16 905-01												1		Däck 5.10 x 13" Metzeler Perfect cross hard, tyre
8	15 16 508-01	1			1		1						1		innerslang. Innertyre
9	15 16 029-01	1			1		1						1	1	Fälgband. Rimband
11	15 16 874-01 15 16 772-01	2			2		2						2		Däcklås kpl. Tyre lock
12	15 16 817-01	1			1		1						1		Navhylsa kpl Hub sleeve
13	15 15 522-01	1			1		1						1		Bromssköld, kpl. Brake plate compl.
N 14	15 11 428-01	1			1		1						1		Nållager Needle bearing
15	15 16 859-01	1			1		1						1		Bussning. Bushing
17	15 16 788-02	2			2		2						2		Bromsback. Brake shoe
18	15 16 547-01	2			2		2						2		Fjäder, bromsback. Spring
19	15 15 514-01	1			1		1						1		Bromsexcenter. Brake cam
20	15 16 723-01	1			1		1						1		Håvarm. Lever
21	73 41 164-01	1			1		1						1		Bricka 8.4 x 17. Washer
22	73 22 118-01	7			7		7						7		Låsmutter M8. Nut
N 23	15 16 892-03	1			1		1						1		Kedjekrans 52T. Sprocket
24	72 52 480-51	6			6		6						6		Skruv M8 x 45. Screw
26	15 16 752-01	1			1		1						1		Distanshylsa. Distance sleeve
27	73 82 302-34	2			2		2						2		Kullager. Ball bearing
28	15 13 718-01	1			1		1						1		Tätning. Seal
29	15 15 523-01	1			1		1						1		Distans. Spacer
30	15 15 524-01	1			1		1						1		Bakaxel. Shaft
31	15 11 242-01	2			2		2						2		X-ring
32	15 15 519-01	1			1		1						1		Tätningshållare. Seal case
33	15 16 598-01	2			2		2						2		Mutter. Nut
34	15 16 866-01	1			1		1						1		Distans, vänster. Distance
35	15 15 518-01	1			1		1						1		Innerhylsa. Spacer
36	15 16 300-01	1			1		1						1		Distanshållare. Space holder
37	15 13 371-01	1			1		1						1		Mutter M8. Nut
38	73 41 153-41	2			2		2						2		Bricka. Washer
39	73 82 296-19	2			2		2						2		Kullager. Bearing
40	15 15 515-01	1			1		1						1		Fjäder. Spring
41	15 13 371-01	1			1		1						1		Mutter M8. Nut
42	15 16 836-01	1			1		1						1		Bricka. Washer
43	15 16 299-01	1			1		1						1		Distanshållare Space holder

$\frac{1}{2-6}$   
6  
 $\frac{12-22, 24-35}{13}$   
 $\frac{13}{14-16, 35}$

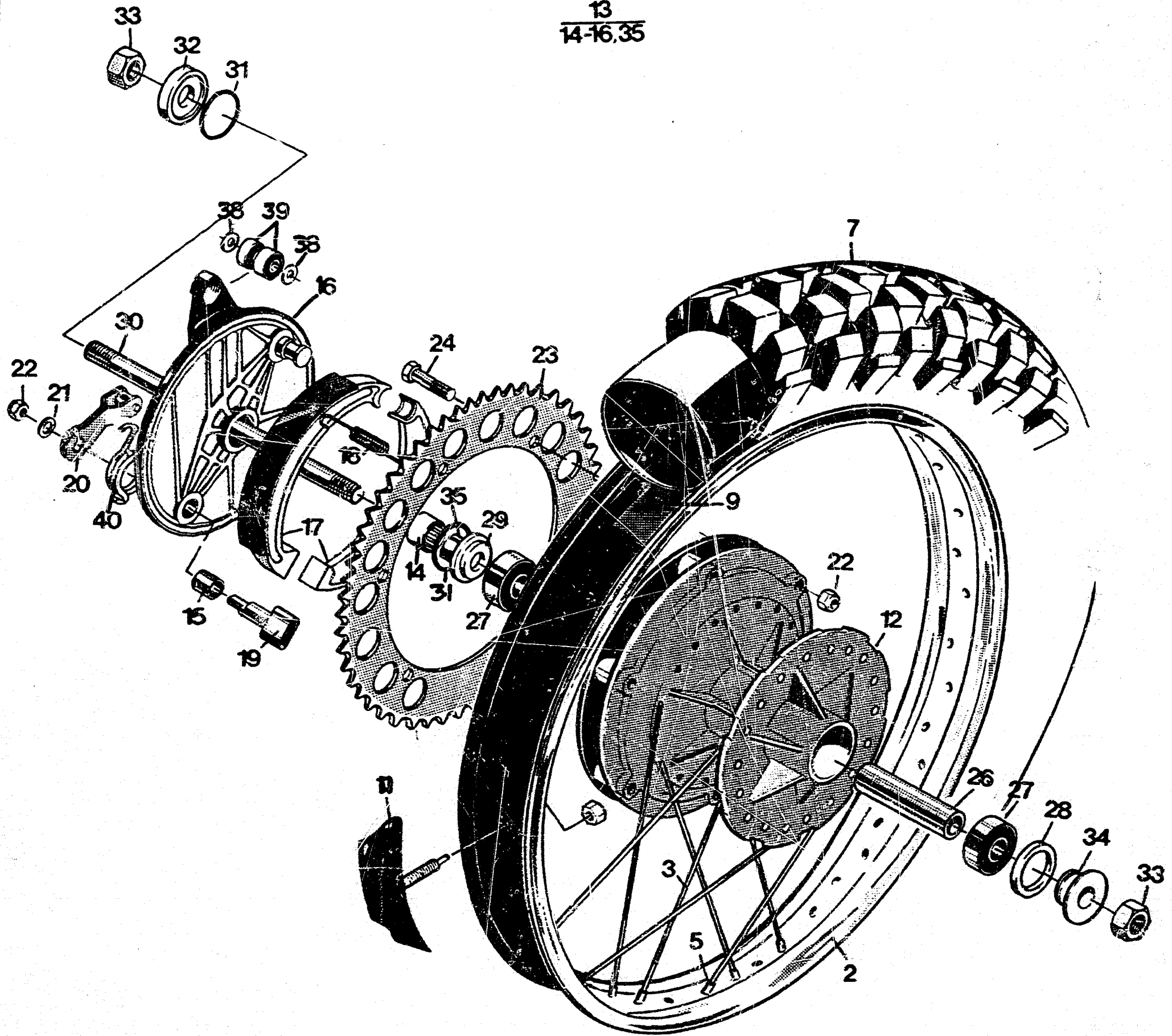




Fig.	Reservdelsnummer Sparepart number	Antal - Quantity												Benämning, Description		
		125			240		250			400		500			400	
		CR	WR	XC	CR	WR	CR	WR	XC	EU WR	US WR	CR	XC		XC	
N 38	73 41 153-41	2			2		2						2			Bricka. Washer
39	73 52 295-10	2			2		2						2			Kullager. Bearing
N 40	15 15 515-01	1			1		1						1			Fjäder. Spring

Tillbehör/Accessories																
N	15 19 952-01	36			36		36									Ekersats. Spoke kit
	15 19 938-01	36			36		36									Nippelsats, Nipple kit

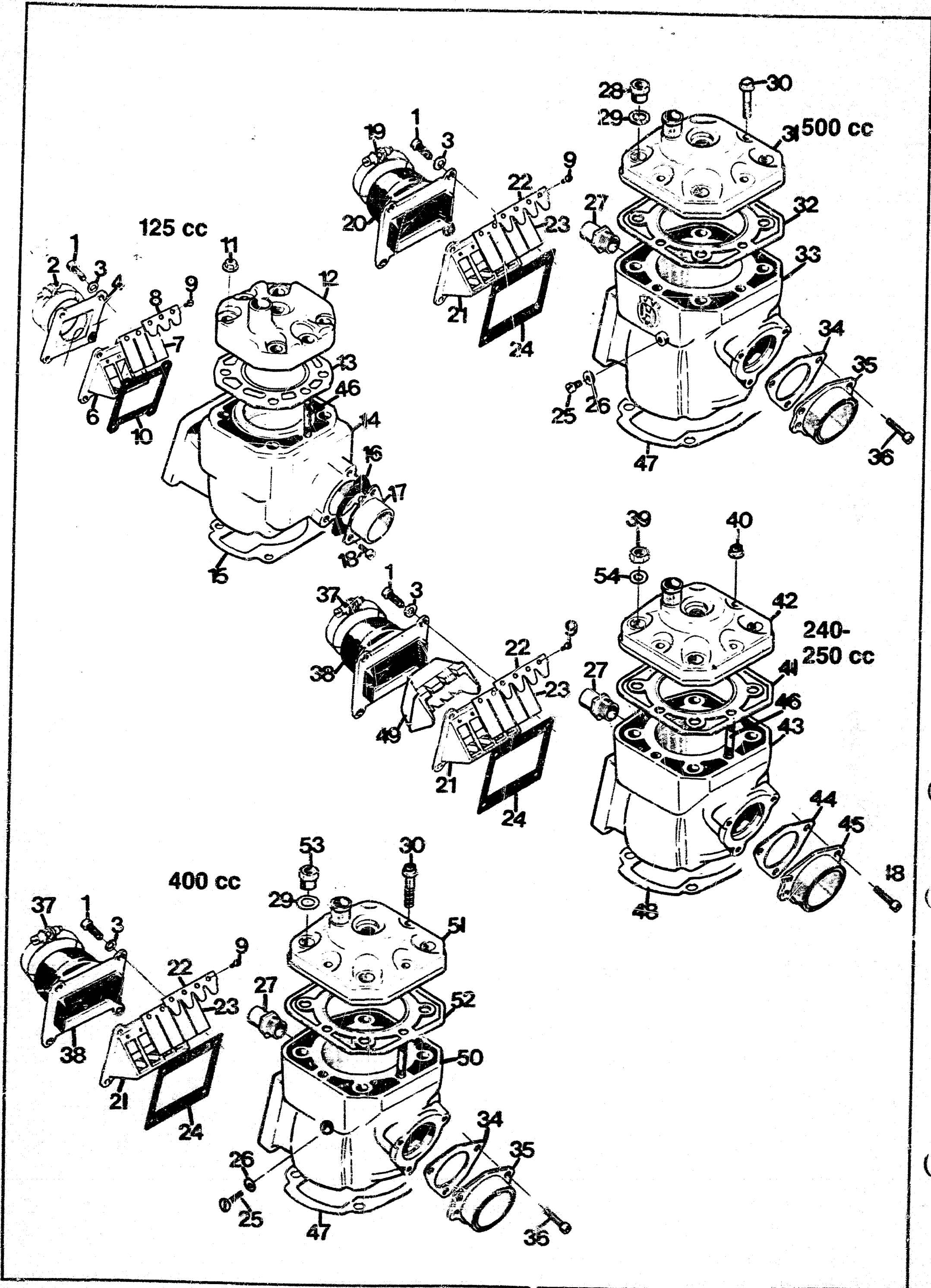
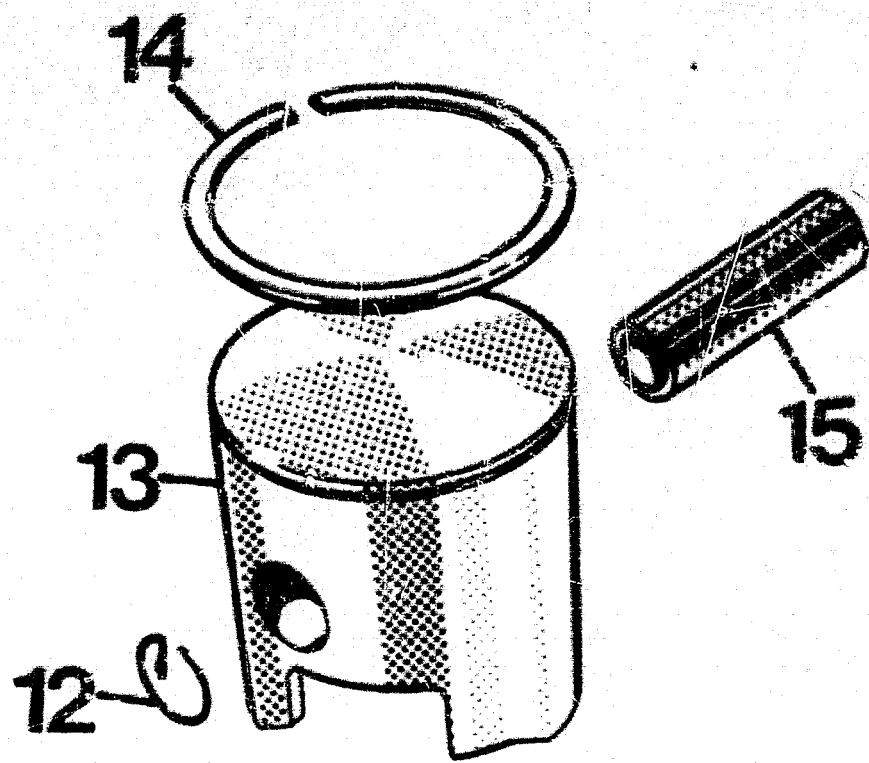
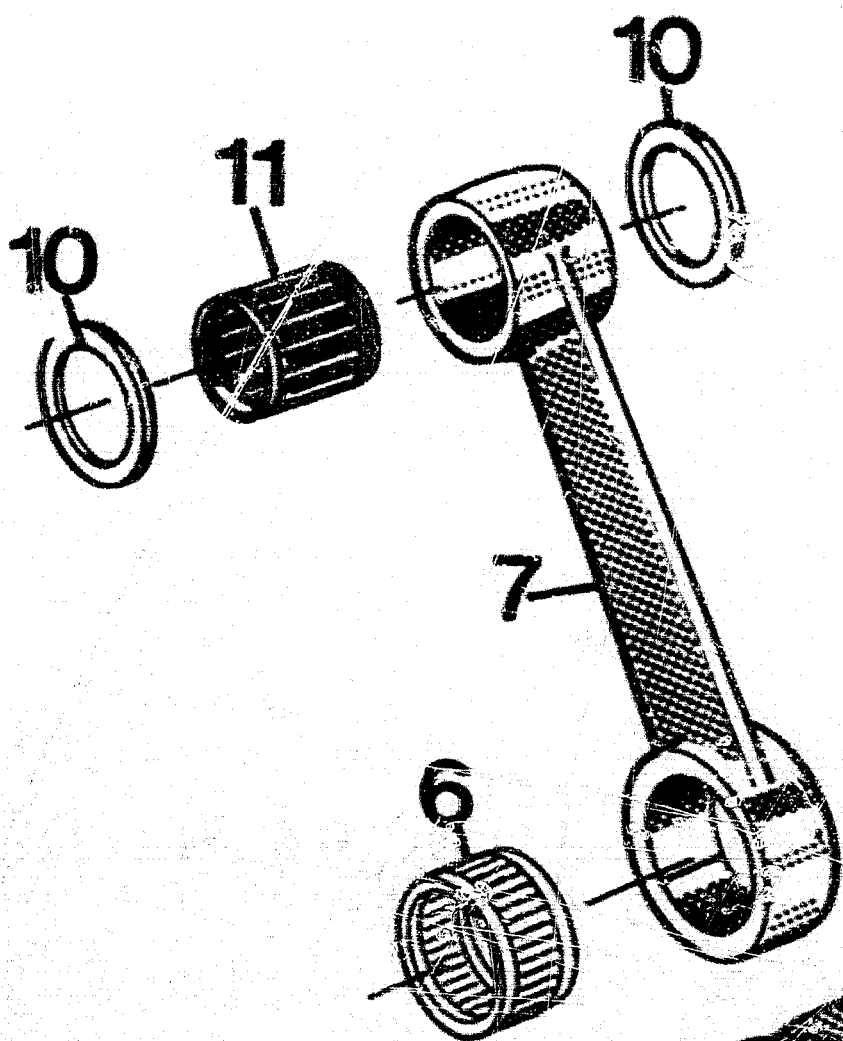


Fig.	Reservdelsnummer Sparepart number	Antal - Quantity													Benämning, Description	
		125			240			250			400		500			400
		CR	WR	XC	CR	WR	XC	CR	WR	XC	EU WR	US WR	CR	XC		XC
1	72 55 372-01	4	4	4	4	4	4	4	4	4	4	4	4	4	Skruv M6 x 25. Screw	
2	16 13 227-01	1	1	1											Klämma. Clamp	
3	73 51 153-50	4	4	4	4	4	4	4	4	4	4	4	4	4	Bricka. Washer	
4	16 11 837-01	1	1	1											Insugningsrör. Intake manifold	
6	16 11 855-01	1	1	1											Ventilhållare. Reed cage	
7	16 11 833-01	2	2	2											Ventil. Reed	
8	16 11 865-01	2	2	2											Ventilstöd. Reed support	
9	72 32 285-31	6	6	6	6	6	6	6	6	6	6	6	6	6	Skruv. Screw	
10	16 11 859-01	1	1	1											Packning. Gasket	
11	15 13 731-01	6	6	6											Mutter. Nut	
12	16 14 516-01	1	1	1											Cylinderlock. Cylinderhead	
13	16 14 522-01	1	1	1											Packning. Gasket	
14	16 14 437-01 16 14 437-02	1	1	1											Cylinder Cylinder	
15	16 11 880-01	1	1	1											Packning. Gasket	
16	16 14 558-01	1	1	1											Packning. Gasket	
17	16 14 551-01 16 14 555-01	1	1	1											Avgasstos. Exhaust manifold Avgasstos. Exhaust manifold	
18	72 55 368-01	3	3	3											Skruv M6 x 16. Screw	
19	16 13 598-01												1	1	Klämma. Clamp	
20	16 15 271-01												1	1	Insugningsrör. Intake manifold	
21	16 11 856-01				1	1	1	1	1	1	1	1	1	1	Ventilhållare. Reed cage	
22	16 11 866-01				2	2	2	2	2	2	2	2	2	2	Ventilstöd. Reed support	
23	16 11 854-01				2	2	2	2	2	2	2	2	2	2	Ventil. Reed	
24	16 11 861-01				1	1	1	1	1	1	1	1	1	1	Packning. Gasket	
25	72 52 364-53				1	1	1	1	1	1	1	1	1	1	Skruv M6 x 10. Screw	
26	16 10 823-01				1	1	1	1	1	1	1	1	1	1	Bricka. Washer	
27	16 14 506-01	1	1	1	1	1	1	1	1	1	1	1	1	1	Anslutning. Hose connection	
28	16 11 190-01												4	4	Mutter. Nut	
29	16 14 583-01									4	4	4	4	4	Bricka. Washer	
30	15 13 700-01									4	4	4	4	4	Skruv M8 x 40. Screw	
N 31	16 14 593-02												1	1	Cylinderlock. Cylinder head	
32	16 14 587-01												1	1	Packning. Gasket	
N 33	16 14 449-01												1	1	Cylinder	
34	16 14 570-01												1	1	Packning. Gasket	
35	16 14 567-01 16 14 571-01									1	1	1	1	1	Avgasstos. Exhaust manifold Avgasstos strypt. Exhaust manifold restricted	
36	72 55 369-01												3	3	Skruv M6 x 18. Screw	
37	16 15 389-01				1	1	1	1	1	1	1				1 Klämma. Clamp	
38	16 15 302-01 16 15 272-01					1	1	1	1	1	1				1 Förgasranslutning. Intake manifold Förgasranslutning. Intake manifold	
N 39	16 14 473-01				4	4	4	4	4						Mutter M10. Nut	
40	15 13 731-01				4	4	4	4	4						Mutter M6. Nut	
41	16 14 495-01				1	1	1	1	1						Packning. Gasket	
42	16 14 498-01				1	1	1	1	1						Cylinderlock. Cylinder head	
N 43	16 14 438-01 16 14 438-02 16 14 438-03 16 14 438-04					1	1	1	1						Cylinder Cylinder Cylinder Cylinder	
44	16 14 537-01				1	1	1	1	1						Packning. Gasket	
45	16 14 534-01 16 14 486-01				1	1	1	1	1						Avgasstos. Exhaust manifold Avgasstos strypt. Exhaust manifold restricted	
46	16 14 541-01	4	4	4	4	4	4	4	4						Pinnskriv. Stud	
47	16 11 882-01									1	1	1	1	1	Packning. Gasket	
48	16 14 524-01				1	1	1	1	1						Packning. Gasket	
N 49	16 14 445-01				1	1	1	1	1						insats. flapskållare Insert. reed valve holder	
50	16 14 457-01									1	1				1 Cylinder	
51	16 14 576-01									1	1				1 Cylinder lock Cylinder head	
52	16 14 577-01									1	1				1 Packning. Gasket	
53	16 11 077-01									4	4				4 Halvmutter. Nut	
54	73 41 173-01				4	4	4	4	4						4 Bricka. Washer	

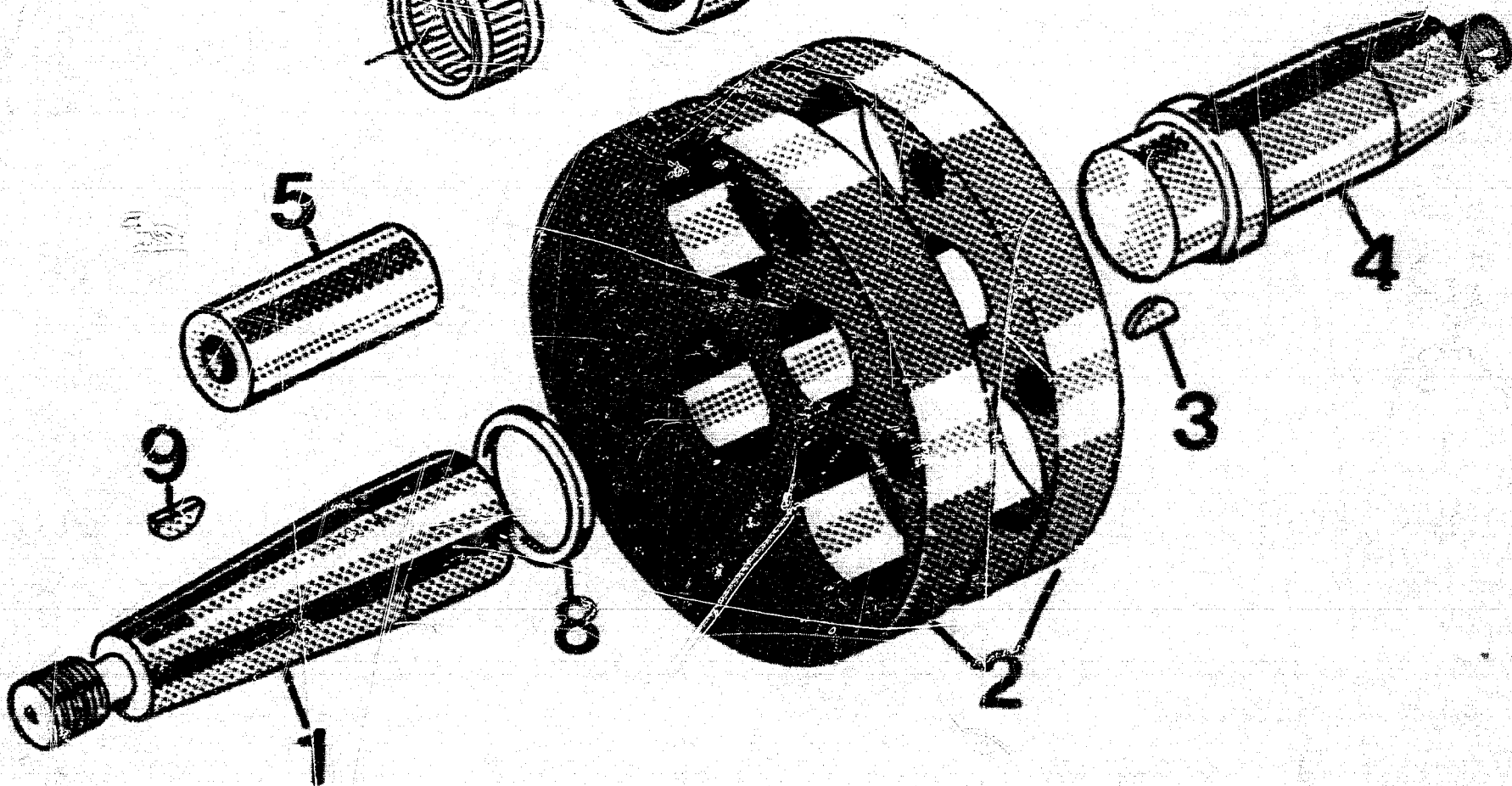




16  
12-15



17  
5-7



18  
1-7

Fig.	Reservdelsnummer Sparepart number	Antal - Quantity													Benämning, Description		
		125			240		250			400		500		400			
		CR	WR	XC	CR	WR	CR	WR	XC	EU WR	US WR	CR	XC	XC			
1	16 10 653-01		1	1													Vevaxel, höger Crank shaft, right
	16 11 659-01				1	1	1	1	1	1	1	1	1	1			Vevaxel, höger Crank shaft, right
3	73 58 016-00	2	2	2	2	2	2	2	2	2	2	2	2	2			Key 3 x 16
4	16 11 235-01	1	1	1													Vevaxel, vänster Crank shaft, left
	16 14 539-01				1	1	1	1	1	1	1	1	1	1			
8	16 10 676-01	1	1	1													Distans. Spacer
	16 10 921-01				1	1	1	1	1	1	1	1	1	1			Distans. Spacer
9	15 13 713-01	1	1	1	1	1	1	1	1	1	1	1	1	1			Key
10	16 10 674-01	2	2	2													Distans. Spacer
	16 10 971-01				2	2	2	2	2								Distans. Spacer
11	16 11 534-01	1	1	1													Nållager. Needle bearing
	16 10 933-01				1	1	1	1	1								Nållager. Needle bearing
	16 11 205-01											1	1				Nållager. Needle bearing
	16 11 838-01									1	1						Nållager. Needle bearing
12	73 14 215-01	2	2	2													Låsring. Circlip
	16 11 738-01				2	2	2	2	2	2	2						Låsring. Circlip
	16 11 195-01											2	2				Låsring. Circlip
14	16 14 521-01	1	1	1													Kolvring (Cyl Ø55.0)
	16 14 521-02																Piston ring
	16 14 521-03																Kolvring (Cyl Ø55.25)
	16 16 358-01								2	2	2						Piston ring
N	16 10 358-02																Kolvring (Cyl Ø69.50)
N	16 10 358-03																Piston ring
N	16 10 358-04																Kolvring (Cyl Ø70.00)
	16 10 831-05				1	1											Piston ring
	15 11 189-01											1	1				Kolvring (Ø86.00)
	16 11 189-02																Piston ring
	16 11 189-03																Kolvring (86.50)
	16 14 454-01											1	1				Piston ring
	16 14 454-02																Kolvring (82.50)
	16 14 454-03																Piston ring
	16 14 454-03																Kolvring (83.00)
	16 14 454-03																Piston ring
	16 14 454-03																Kolvring (83.50)
	16 14 454-03																Piston ring
16	16 14 520-01	1	1	1													Kolv kpl. (Cyl Ø55.0)
	16 14 520-02																Piston compl.
	16 14 520-03																Kolv kpl. (Cyl Ø55.25)
N	16 16 357-01								1	1	1						Piston compl.
N	16 16 357-02																Kolv kpl. (Cyl Ø69.50)
N	16 16 357-03																Piston compl.
	16 14 493-01				1	1											Kolv kpl. (Cyl Ø70.00)
	16 14 487-01											1	1				Piston compl.
	16 14 487-02																Kolv kpl. (Cyl Ø68.75)
	16 14 487-03																Piston compl.
	16 14 455-01											1	1				Kolv kpl. (Cyl Ø86.00)
	16 14 455-02																Piston compl.
	16 14 455-03																Kolv kpl. (Cyl Ø86.50)
	16 14 455-03																Piston compl.
	16 14 455-03																Kolv kpl. (Cyl Ø87.00)
	16 14 455-03																Piston compl.
	16 14 455-03																Kolv kpl. (Cyl Ø82.50)
	16 14 455-03																Piston compl.
	16 14 455-03																Kolv kpl. (Cyl Ø83.00)
	16 14 455-03																Piston compl.
	16 14 455-03																Kolv kpl. (Cyl Ø83.50)
	16 14 455-03																Piston compl.
17	16 10 383-01	1	1	1													Renov.sats vevstake
	16 19 825-01				1	1	1	1	1	1	1						Overhaulkit conn.rod
	16 19 829-01											1	1				
18	16 14 542-01	1	1	1													Vevparti, kpl.
N	16 14 436-01				1	1	1	1	1								Crank shaft, compl.
N	16 14 400-01											1	1				Vevparti, kpl.
	16 14 573-01																Crank shaft, compl.
	16 14 573-01											1	1				Vevparti, kpl.
	16 14 573-01																Crank shaft, compl.

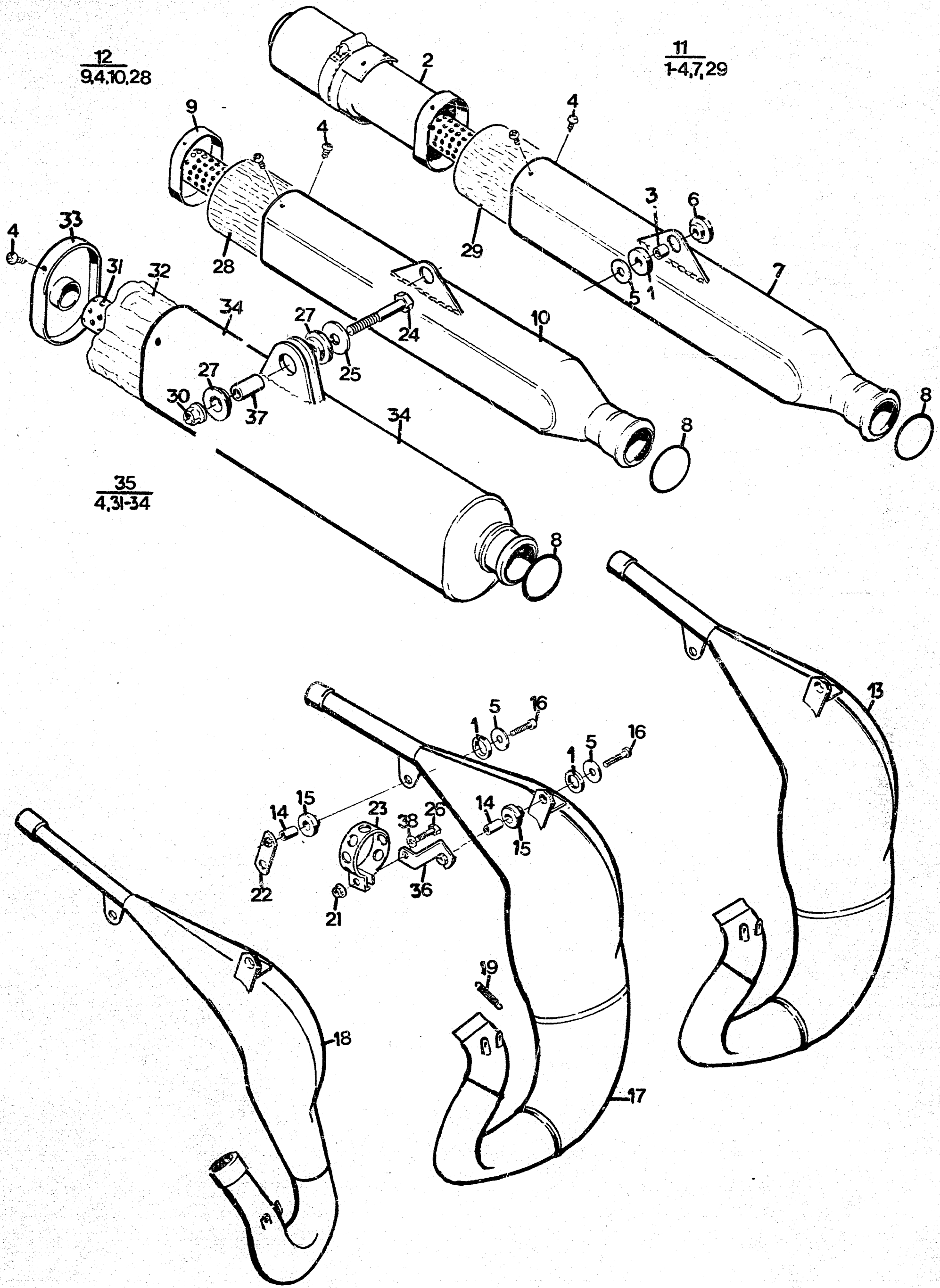




Fig.	Reservdelsnummer Sparepart number	Antal - Quantity													Benämning, Description
		125			240		250			400		500		400	
		CR	WR	XC	CR	WR	CR	WR	XC	EU WR	US WR	CR	XC	XC	
1	15 13 414-01	1	1	1	1	1	1	1	1	1	1	1	1	1	Bricka. Washer
2	15 13 416-01			1				1	1		1		1	1	Insats kpl med gnistsläckare. Innertube compl with sparkarrestor
3	15 15 108-01	1		1	1		1	1			1	1	1	1	Distans. Spacer
4	72 95 842-01	4	4	4	4	4	4	4	4	4	4	4	4	4	Skruv. Screw
5	15 13 709-01	1	1	1	1	1	1	1	1	1	1	1	1	1	Bricka. Washer
6	15 14 032-02	1	1	1	1		1	1			1	1	1	1	Gummibussning. Rubber bushing
8	15 14 559-01	1	1	1	1	1	1	1	1	1	1	1	1	1	O-ring
9	15 13 398-01 15 13 398-02 15 13 398-03	1				1		1					1		Innerrör. Innertube Innerrör. Innertube Innerrör. Innertube
11	15 13 420-01 15 13 492-01			1				1			1		1	1	Ljuddämpare kpl. Silencer compl. Ljuddämpare kpl. Silencer compl.
12	15 13 393-01 15 13 393-02 15 13 393-03 15 13 393-04	1			1		1					1			Ljuddämpare. Silencer Ljuddämpare. Silencer Ljuddämpare. Silencer Ljuddämpare. Silencer
13	15 13 971-01 15 13 970-01 15 13 970-02 15 13 970-03											1	1		Avgasrör. Exhaust pipe Avgasrör. Exhaust pipe Avgasrör. Exhaust pipe Avgasrör. Exhaust pipe
14	15 15 108-01	1	1	1	1	1	1	1	1	1	1	1	1	1	Distans. Spacer
15	15 14 032-01	1	1	1	1	1	1	1	1	1	1	1	1	1	Gummibussning. Rubber bushing
16	72 55 372-01	1	1	1	1	1	1	1	1	1	1	1	1	1	Skruv M6 x 25. Screw
17	15 13 954-01 15 13 982-01 15 13 982-02				1		1		1						Avgasrör. Exhaust pipe Avgasrör. Exhaust pipe Avgasrör. Exhaust pipe
18	15 13 966-01 15 13 979-01	1		1											Avgasrör. Exhaust pipe Avgasrör. Exhaust pipe
19	15 13 391-01	2	2	2	2	2	2	2	2	2	2	2	2	2	Fjäder. Spring
21	15 13 706-01	1	1	1	1	1	1	1	1	1	1	1	1	1	Mutter M6. Nut
22	15 13 977-01	1	1	1	2	1	2	1	1	1	1	1	1	1	Fäste. Attachment
23	15 13 441-01	1	1	1	1	1	1	1	1	1	1	1	1	1	Klämma. Clamp
24	72 52 463-81					1		1		1	1				Skruv M8 x 60. Screw
25	15 14 661-01					1		1		1	1				Bricka. Washer
26	73 52 372-01	1	1	1	1	1	1	1	1	1	1	1	1	1	Skruv M6 x 25. Screw
27	15 14 662-01					1		1		1	1				Gummibussning. Rubber Bushing
28	15 13 336-03 15 13 336-02	1			1		1						1		Stoppning. Packing Stoppning. Packing
29	15 13 336-03			1				1	1		1		1	1	Stoppning. Packing
30	15 13 707-01					1		1		1	1				Mutter M8. Nut
31	15 13 995-01					1		1		1					Innerrör. Innertube
32	15 13 336-04					1		1		1					Absorbent. Absorber
33	15 13 960-01					1		1		1					Gavel. Gable
35	15 13 968-01					1		1		1					Ljuddämpare kpl. Silencer compl.
36	15 13 976-01	1	1	1	1		1		1	1	1	1	1	1	Fäste. Attachment
37	15 14 663-01					2		2		2	2				Distans. Spacer
38	15 13 734-01	1	1	1	1	1	1	1	1	1	1	1	1	1	Bricka. Washer

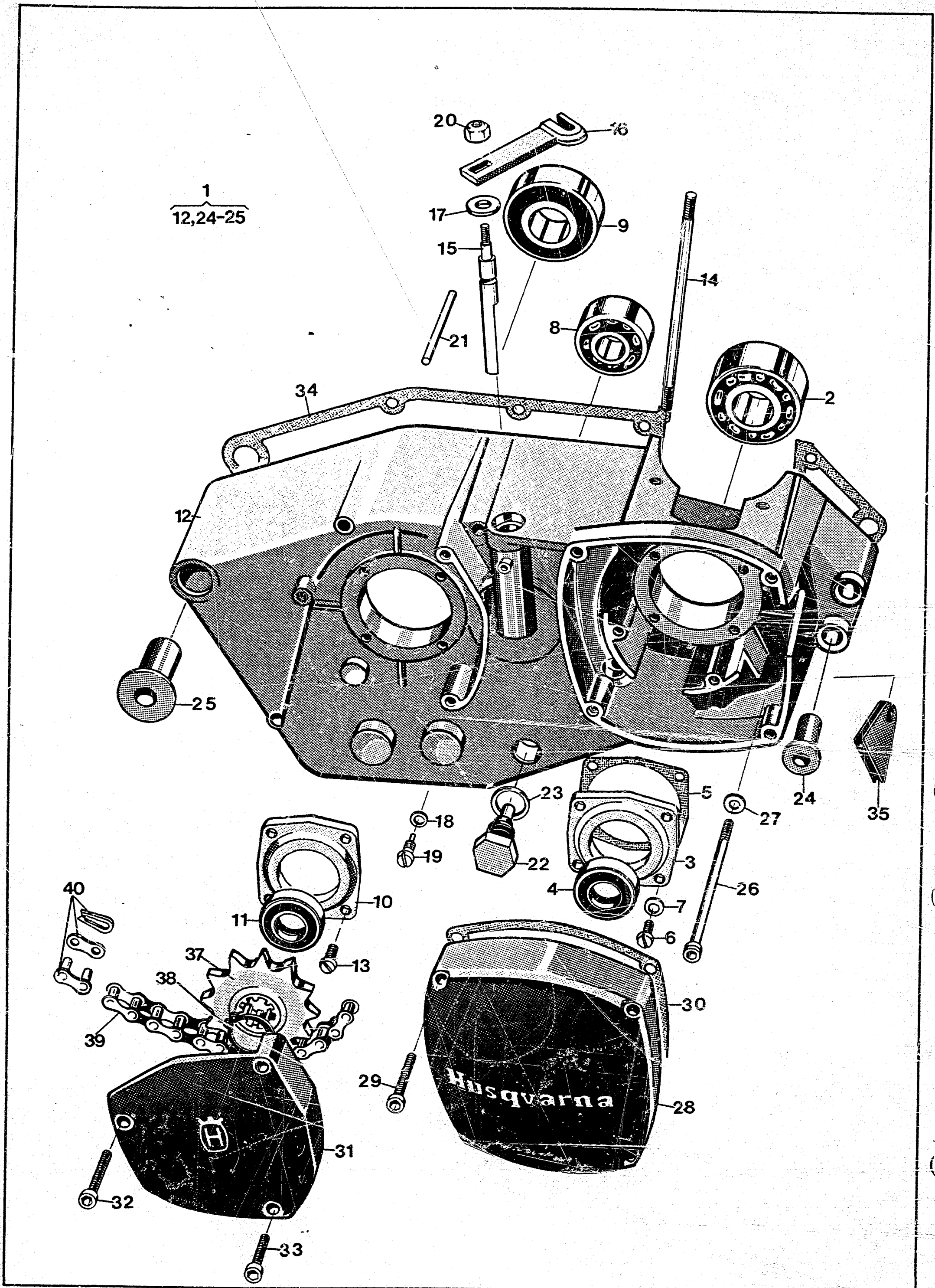
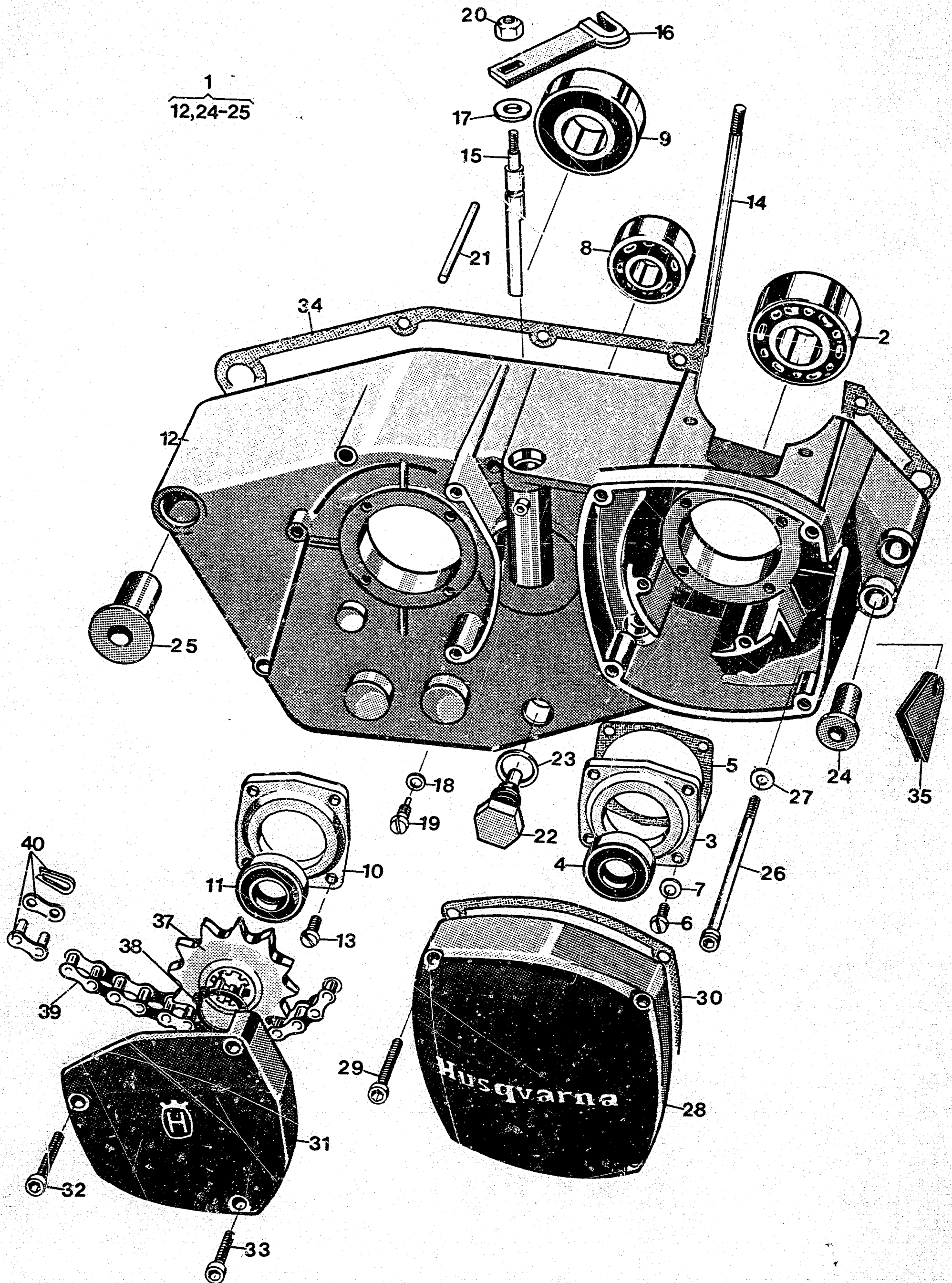


Fig.	Reservdelsnummer Sparepart number	Antal - Quantity													Benämning, Description	
		125			240		250			400		500		400		
		CR	WR	XC	CR	WR	CR	WR	XC	EU WR	US WR	CR	XC	XC		
1	16 19 690-01	1	1	1												Vevhushalva, höger Crankcase halve right
	16 19 692-01	1	1	1												Vevhushalvor par Crankcase halves pair
2	73 63 204-40	1	1	1												Kullager. Ball bearing
3	16 10 679-01	1	1	1												Fläns. Flange
4	16 10 681-01	1	1	1												Tätning. Seal
5	12 25 360-01	1	1	1												Packning. Gasket
6	72 31 328-51	4	4	4												Skruv M5 x 14. Screw
7	73 51 146-50	4	4	4												Fjäderbricka. Washer
8	73 82 302-40	1	1	1												Kullager. Ball bearing
9	16 16 351-01	1	1	1												Kullager. Ball bearing
10	16 11 778-01	1	1	1												Fläns. Flange
11	16 12 353-01	1	1	1												Distans. Spacer
13	72 35 328-55	4	4	4												Skruv M5 x 14. Screw
14	16 11 546-02	4	4	4												Dragbult, cylinder. Cylinder stud
15	16 10 774-01	1	1	1												Frikopplingsaxel. Declutching shaft
16	16 11 171-01	1	1	1												Hävarm. Lever
17	15 13 722-01	1	1	1												Tätning. Seal
18	73 44 878-00	1	1	1												Bricka. Washer
19	12 25 077-01	1	1	1												Stoppskruv. Screw
20	73 22 118-01	1	1	1												Låsmutter M8. Nut
21	72 11 350-40	1	1	1												Pinne. Pin
22	16 12 537-01	1	1	1												Magnetplugg. Magneto plug
23	12 25 025-01	1	1	1												Packning. Gasket
24	16 10 777-01	2	2	2												Flänsbussning. Flange sleeve
25	16 11 516-01	1	1	1												Flänsbussning. Flange sleeve
26	72 55 385-01	9	9	9												Skruv M6 x 75. Screw
27	73 41 153-01	9	9	9												Bricka 6.4 x 12.5. Washer
28	16 10 647-01	1	1	1												Magnetkåpa. Magneto cover
29	72 55 378-01	4	4	4												Skruv M6 x 40. Screw
30	16 11 623-01	1	1	1												Packning. Gasket
31	16 11 560-02	1	1	1												Kåpa. Cover
32	72 55 380-01	1	1	1												Skruv M6 x 50. Screw
33	72 55 376-01	2	2	2												Skruv M6 x 35. Screw
34	16 11 641-01	1	1	1												Vevhuspackning. Gasket
35	16 14 728-01	1	1	1												Genomföring. Grommet
37	16 12 693-04	1	1	1												Kedjedrev z = 13. Sprocket
38	73 53 126-00	1	1	1												Spårring. Circlip
39	15 19 760-12	1		1												Kedja 5/8 x 1/4 118. Chain
	15 17 760-07		1													Kedja O-ring 5/8 x 1/4 118. Chain O-ring
40	15 19 759-04	1		1												Kedjelås. Master link





Tillbehör/Accessories

16 12 693-01  
16 12 693-02  
16 12 693-03  
16 12 693-05  
16 12 693-06  
16 12 693-07  
16 12 693-08  
16 19 852-01

Kedjedrev  
Front sprocket  
z = 10  
z = 11  
z = 12  
z = 14  
z = 15  
z = 16  
z = 17  
Packningssats  
Gasket set

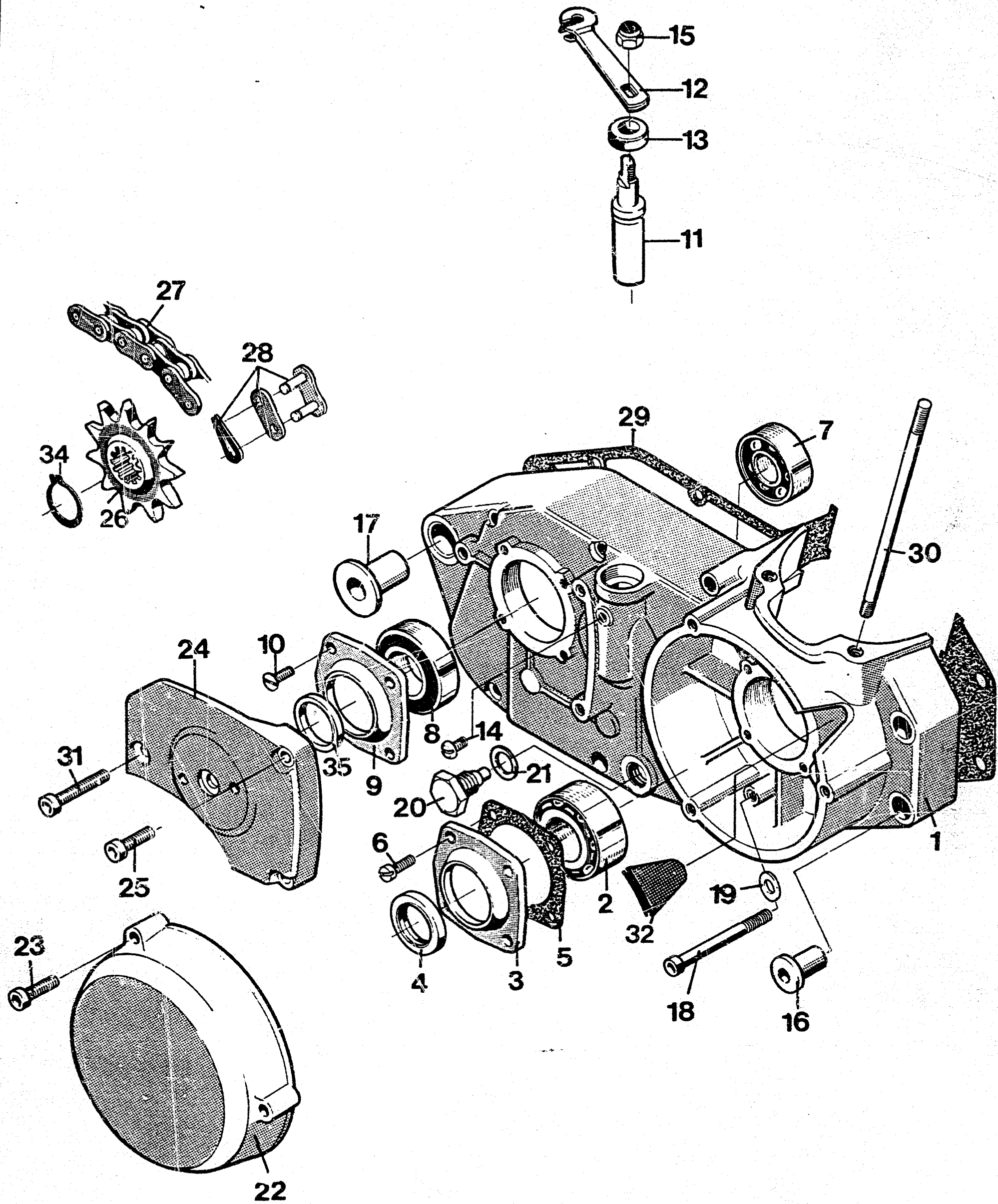




Fig.	Reservdelsnummer Sparepart number	Antal - Quantity													Benämning, Description
		125			240		250			400		500		400	
		CR	WR	XC	CR	WR	CR	WR	XC	EU WR	US WR	CR	XC	XC	
N	16 19 686-01				1	1	1	1	1						Vevhus, kpl. Crankcase, compl.
	16 19 689-01									1	1	1	1	1	Vevhus, kpl. Crankcase, compl.
1	16 19 684-01 16 19 687-01				1	1	1	1	1	1	1	1	1	1	Vevhushalva höger, kpl. Crankcase half, compl.
2	73 83 205-40				1	1	1	1	1	1	1	1	1	1	Vinkelkontaktkullager Ball bearing
3	16 10 810-01				1	1	1	1	1	1	1	1	1	1	Fläns. Flange
4	15 13 725-01				1	1	1	1	1	1	1	1	1	1	Tätning. Seal
5	12 25 358-01				1	1	1	1	1	1	1	1	1	1	Packning. Gasket
6	72 31 328-51				4	4	4	4	4	4	4	4	4	4	Skruv M5 x 14. Screw
7	73 82 302-40				1	1	1	1	1	1	1	1	1	1	Kullager. Ball bearing
8	73 82 205-28				1	1	1	1	1	1	1	1	1	1	Kullager. Ball bearing
9	16 11 778-01				1	1	1	1	1	1	1	1	1	1	Fläns. Flange
10	72 35 328-55				4	4	4	4	4	4	4	4	4	4	Skruv M5 x 14. Screw
N	11 16 15 310-01				1	1	1	1	1	1	1	1	1	1	Frikopplingsaxel. Declutching shaft
12	16 14 584-01				1	1	1	1	1	1	1	1	1	1	Hävarm. Lever
13	15 13 722-01				1	1	1	1	1	1	1	1	1	1	Tätning. Seal
14	72 31 323-01				1	1	1	1	1	1	1	1	1	1	Skruv M5 x 8. Screw
15	73 22 118-01				1	1	1	1	1	1	1	1	1	1	Låsmutter. Nut
16	16 10 777-01				2	2	2	2	2	2	2	2	2	2	Flänsbussning. Flange sleeve
17	16 14 589-01				1	1	1	1	1	1	1	1	1	1	Flänsbussning Flange sleeve
18	72 55 385-01				6	6	6	6	6	6	6	6	6	6	Skruv M6 x 75. Screw
19	73 41 153-01				6	6	6	6	6	6	6	6	6	6	Bricka 6.4 x 12.5. Washer
20	16 12 537-01				1	1	1	1	1	1	1	1	1	1	Magnetbult. Magneto plug
21	12 25 025-01				1	1	1	1	1	1	1	1	1	1	Packning. Gasket
22	16 11 640-01				1	1	1	1	1	1	1	1	1	1	Magnetkåpa. Magneto cover
23	72 55 378-01				3	3	3	3	3	3	3	3	3	3	Skruv M6 x 40. Screw
24	16 11 816-02				1	1	1	1	1	1	1	1	1	1	Kåpa. Cover
25	72 55 374-01				2	2	2	2	2	2	2	2	2	2	Skruv M6 x 30. Screw
26	16 12 693-04				1		1	1	1						Kedjedrev z = 13 Sprocket
	16 12 693-08					1									Kedjedrev z = 17 Sprocket
	16 12 693-06											1	1	1	Kedjedrev = 15 Sprocket
	16 12 693-05									1	1				Kedjedrev z = 15 Sprocket
27	15 19 760-11				1		1	1	1						Drivkedja 5/8 x 1/4" 116 länk. Chain
	15 19 760-12											1	1	1	Drivkedja 5/8 x 1/4" 118 länk Chain
	15 17 760-06					1		1		1	1				Drivkedja O-ring 5/8 x 1/4" 116 länk Chain O-ring
28	15 19 759-04				1		1	1	1			1	1	1	Kedjelås. Chain lock
29	16 11 667-01 16 11 667-02				1	1	1	1	1	1	1	1	1	1	Packning. Gasket
30	16 11 883-03				4	4	4	4	4	4	4	4	4	4	Dragbult. Cylinder stud
31	72 55 376-01				1	1	1	1	1	1	1	1	1	1	Skruv M6 x 36. Screw
32	16 14 728-01				1	1	1	1	1	1	1	1	1	1	Kabelgenomföring. Grommet
N	33 16 19 863-01 16 19 864-01				1	1	1	1	1	1	1	1	1	1	Packningsseats Gasket set
34	73 53 126-00				1	1	1	1	1	1	1	1	1	1	Låsring. Circlip
35	16 12 353-01				1	1	1	1	1	1	1	1	1	1	Distans. Spacer

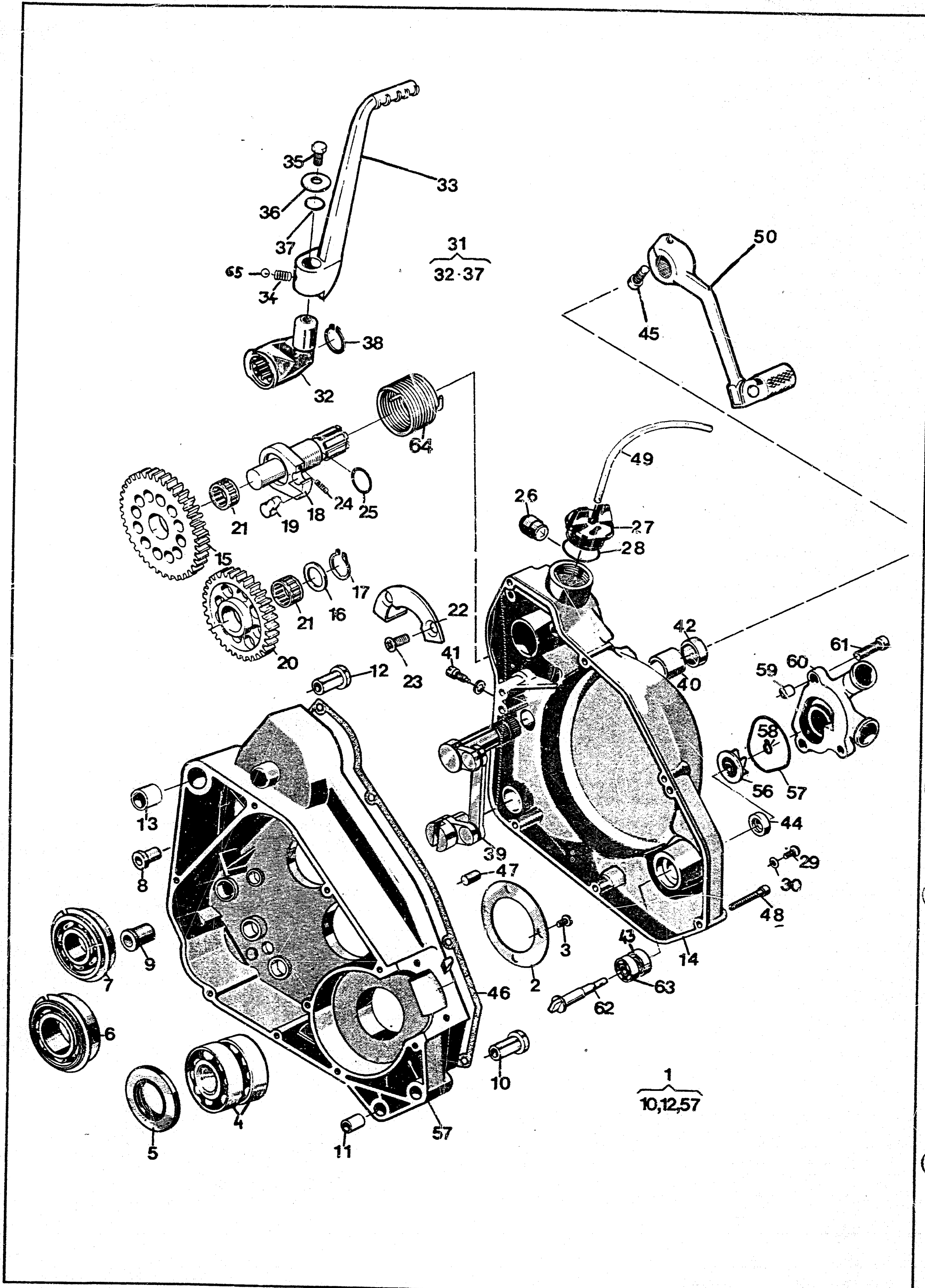


Fig.	Reservdelsnummer Sparepart number	Antal - Quantity													Benämning, Description	
		125			240		250			400		500		400		
		CR	WR	XC	CR	WR	CR	WR	XC	EU WR	US WR	CR	XC	XC		
1	16 19 891-01	1	1	1												Vevhushalva, vänster Crankcase halve left
	16 19 892-01	1	1	1												Vevhushalvor par Crankcase halves pair
2	16 11 586-01	1	1	1												Stödbricka Support washer
3	72 52 331-86	4	4	4												Skruv M5 x 20. Screw
4	73 82 204-25	2	2	2												Kullager SKF 3204/C3 Ball bearing
5	15 13 724-01	1	1	1												Tätning. Seal
6	15 13 721-01	1	1	1												Kullager SKF 6205 NR/C3 Ball bearing
7	15 13 720-01	1	1	1												Kullager SKF 6303 NR/C3 Ball bearing
8	16 11 465-01	2	2	2												Bussning. Bushing
9	12 25 356-01	1	1	1												Bussning. Bushing
10	16 10 777-01	2	2	2												Flänsbussning Flange sleeve
11	16 10 776-01	1	1	1												Styrhylsa. Steering sleeve
12	16 14 589-01	1	1	1												Flänsbussning Flange sleeve
13	16 14 590-01	1	1	1												Styrhylsa. Steering sleeve
14	16 19 849-02	1	1	1												Vevhushåpa, vänster Transmission cover
15	16 14 470-01	1	1	1												Kickhjul. Gearwheel kickstart
16	15 13 714-01	1	1	1												Bricka. Washer
17	73 53 118-00	1	1	1												Spårring. Circlip
18	16 11 679-01	1	1	1												Kickaxel. Kickshaft
19	16 11 680-01	1	1	1												Medbringare. Pawl
20	16 11 281-01	1	1	1												Mellanhjul. Idle gear
21	16 11 675-01	1	1	1												Nållager. Needle bearing
22	16 11 284-01	1	1	1												Fjäderhållare. Spring holder
23	72 56 331-05	2	2	2												Skruv. Screw
24	16 11 681-01	1	1	1												Fjäder. Spring
25	74 04 313-10	2	2	2												O-ring
26	16 17 017-01	1	1	1												Buffert. Buffert
27	16 10 786-01	1	1	1												Lock. Cap
28	50 12 782-01	1	1	1												Packning. Gasket
29	72 31 364-01	1	1	1												Skruv M6 x 10. Screw
30	16 10 823-01	1	1	1												Packning. Gasket
31	16 11 086-01	1	1	1												Kickstartpedal, kpl. Kick starter pedal compl.
32	16 11 672-02	1	1	1												Underdel, kick Lower part
33	16 11 083-01	1	1	1												Kickstartpedal Kick starter pedal
34	16 11 084-01	1	1	1												Fjäder. Spring
35	72 55 366-01	1	1	1												Skruv M6 x 12. Screw
36	16 11 298-01	1	1	1												Bricka. Washer
37	74 04 313-10	1	1	1												O-ring
38	73 53 122-00	1	1	1												Spårring. Circlip
39	16 11 535-01	1	1	1												Växelmekanism, kpl. Gear links compl.



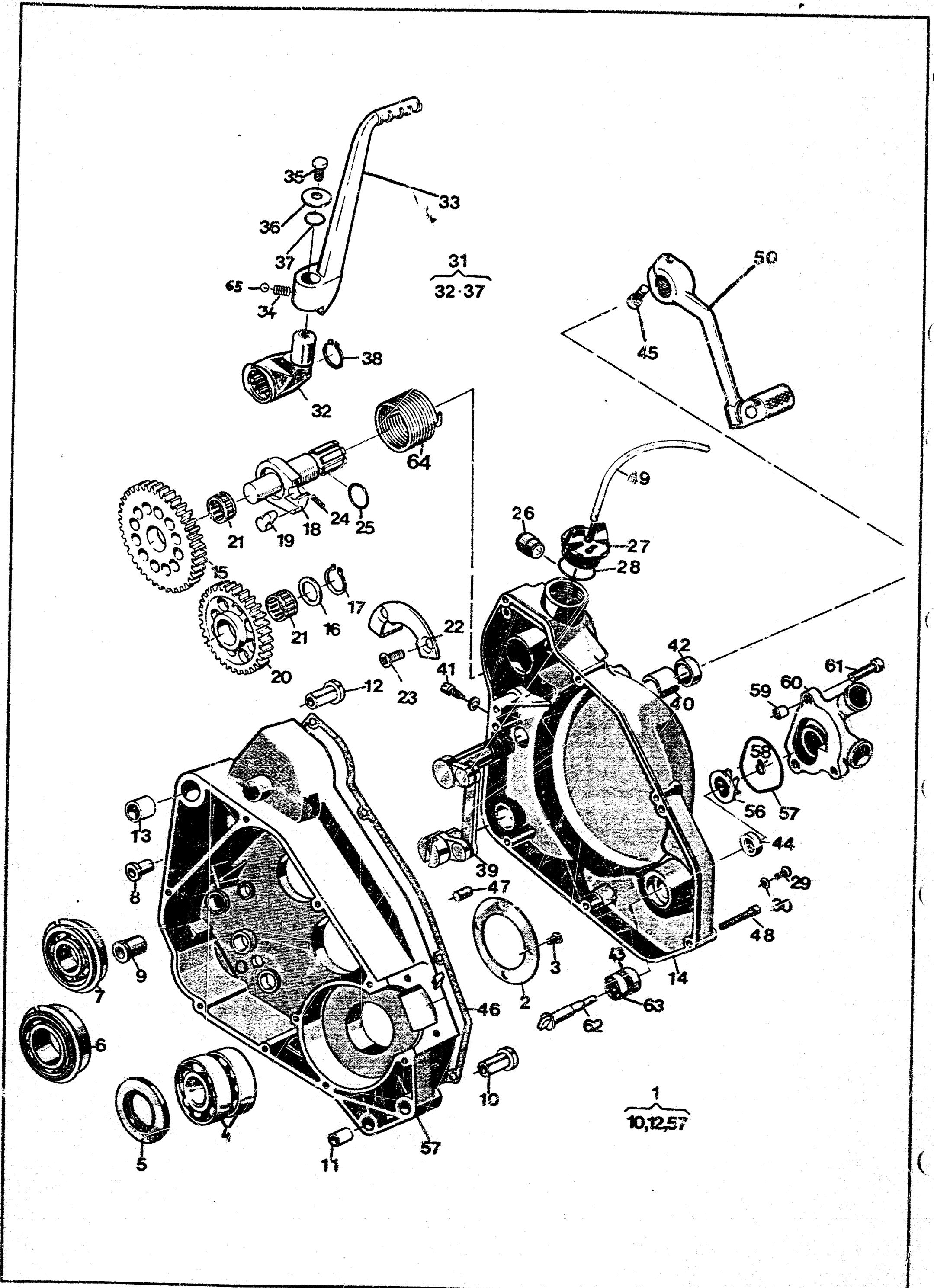


Fig.	Reservdelnummer Sparepart number	Antal - Quantity													Benämning, Description	
		125			240		250			400		500		400		
		CR	WR	XC	CR	WR	CR	WR	XC	EU WR	US WR	CR	XC	XC		
40	16 11 474-01	1	1	1												Busning. Bushing
41	12 25 077-01	1	1	1												Stoppakr. Screw
42	50 32 602-05	1	1	1												Tätning. Seal
43	73 82 198-04	1	1	1												Kullager. Bearing
44	16 17 958-01	1	1	1												Tätning. Seal
45	72 55 370-01	1	1	1												Skriv M6 x 20. Screw
46	16 10 792-01	1	1	1												Packning. Gasket
48	72 55 376-01	7	7	7												Skriv M6 x 35. Screw
49	12 25 621-10	1	1	1												Slang/m 4.5 x 8. Hose/m
N 50	16 16 359-01	1	1	1												Fotvixelpedal. Shift lever
56	16 17 951-01	1	1	1												Pumphjul. Pumpwheel
57	74 04 634-03	1	1	1												O-ring
58	73 53 108-01	1	1	1												Låsring. Circlip
59	16 17 955-01	2	2	2												Styrstift. Peg
60	16 17 967-01	1	1	1												Pumphus. Pumphousing
61	72 55 371-01	3	3	3												Skriv M6 x 22. Screw
62	16 17 966-01	1	1	1												Pumpaxel. Pump shaft
63	73 82 198-00	1	1	1												Kullager. Bearing
64	16 11 682-01	1	1	1												Kickfjäder. Spring
65	73 86 120-03	1	1	1												Kula. Ball

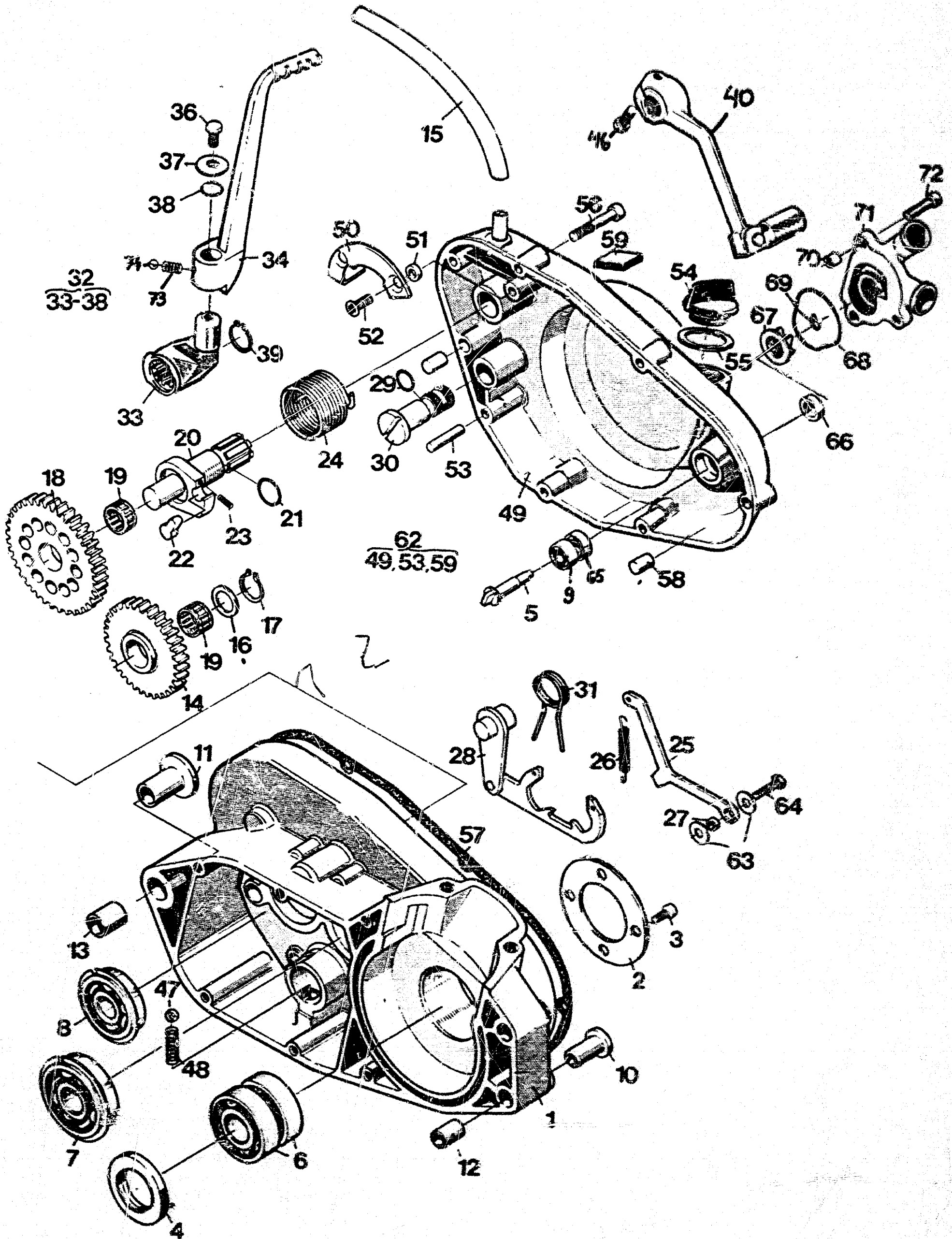




Fig.	Reservdelsnummer Sparepart number	Antal - Quantity													Benämning, Description	
		125			240		250			400		500		400		
		CR	WR	XC	CR	WR	CR	WR	XC	EU WR	US WR	CR	XC	XC		
1	16 19 685-01 16 19 688-01				1	1	1	1	1	1	1	1	1	1	1	Vevhushalva, vänster komplett Crankcase halve left
2	16 10 779-01				1	1	1	1	1	1	1	1	1	1	1	Stödbricka Support washer
3	72 52 331-86				4	4	4	4	4	4	4	4	4	4	4	Skruv M6S x 20. Screw
4	15 13 726-01				1	1	1	1	1	1	1	1	1	1	1	Tätning. Seal
5	16 17 966-01				1	1	1	1	1	1	1	1	1	1	1	Pumpaxel. Pump shaft
6	73 82 205-25				2	2	2	2	2	2	2	2	2	2	2	Kullager. Ball bearing
7	15 13 721-01				1	1	1	1	1	1	1	1	1	1	1	Kullager. Ball bearing
8	15 13 720-01				1	1	1	1	1	1	1	1	1	1	1	Kullager. Ball bearing
9	73 82 198-00				1	1	1	1	1	1	1	1	1	1	1	Kullager. Ball bearing
10	16 10 777-01				2	2	2	2	2	2	2	2	2	2	2	Flänsbussning. Flange sleeve
11	16 14 589-01				2	2	2	2	2	2	2	2	2	2	2	Flänsbussning. Flange sleeve
12	16 10 776-01				1	1	1	1	1	1	1	1	1	1	1	Styrhylsa, fram. Steering sleeve
13	16 14 590-01				1	1	1	1	1	1	1	1	1	1	1	Styrhylsa, bak Steering sleeve
14	16 11 271-01				1	1	1	1	1	1	1	1	1	1	1	Mellanhjul. Cog wheel
15	16 14 540-01				1	1	1	1	1	1	1	1	1	1	1	Ventilations slang Ventilation hose
16	15 13 714-01				1	1	1	1	1	1	1	1	1	1	1	Bricka. Washer
17	73 53 118-00				1	1	1	1	1	1	1	1	1	1	1	Spårring. Circlip
18	16 11 270-01				1	1	1	1	1	1	1	1	1	1	1	Kugghjul. Gear wheel
19	16 11 675-01				1	1	1	1	1	1	1	1	1	1	1	Nålhylsa. Sleeve
20	16 11 677-01				1	1	1	1	1	1	1	1	1	1	1	Kickaxel. Shaft
21	74 04 313-10				1	1	1	1	1	1	1	1	1	1	1	O-ring
22	16 11 680-01				1	1	1	1	1	1	1	1	1	1	1	Medbringare. Driving
23	16 11 681-01				1	1	1	1	1	1	1	1	1	1	1	Fjäder. Spring
24	16 11 682-01				1	1	1	1	1	1	1	1	1	1	1	Kickfjäder. Spring
25	16 11 683-01				1	1	1	1	1	1	1	1	1	1	1	Lågeshaka. Hook link
26	16 11 684-01				1	1	1	1	1	1	1	1	1	1	1	Fjäder. Spring
27	16 11 216-01				1	1	1	1	1	1	1	1	1	1	1	Bussning. Bushing
28	16 11 686-01				1	1	1	1	1	1	1	1	1	1	1	Växelmatare. Kicker
29	74 04 310-10				2	2	2	2	2	2	2	2	2	2	2	O-ring
30	16 11 746-01				1	1	1	1	1	1	1	1	1	1	1	Växlingsaxel. Shaft
31	16 11 692-01				1	1	1	1	1	1	1	1	1	1	1	Återgångsfjäder Return spring
32	16 11 086-01				1	1	1	1	1	1	1	1	1	1	1	Kickstartvev Kick starter cpl.
33	16 11 672-02				1	1	1	1	1	1	1	1	1	1	1	Underdel, kick Lower part, kickstarter
34	16 11 083-01				1	1	1	1	1	1	1	1	1	1	1	Kickstartpedal Kick starter pedal
36	72 55 366-01				1	1	1	1	1	1	1	1	1	1	1	Skruv M6 x 12. Screw

## VEVHUSHALVA, TRANSMISSIONSKÅPA 240-500 CRANKCASE HALF, TRANSMISSION COVER

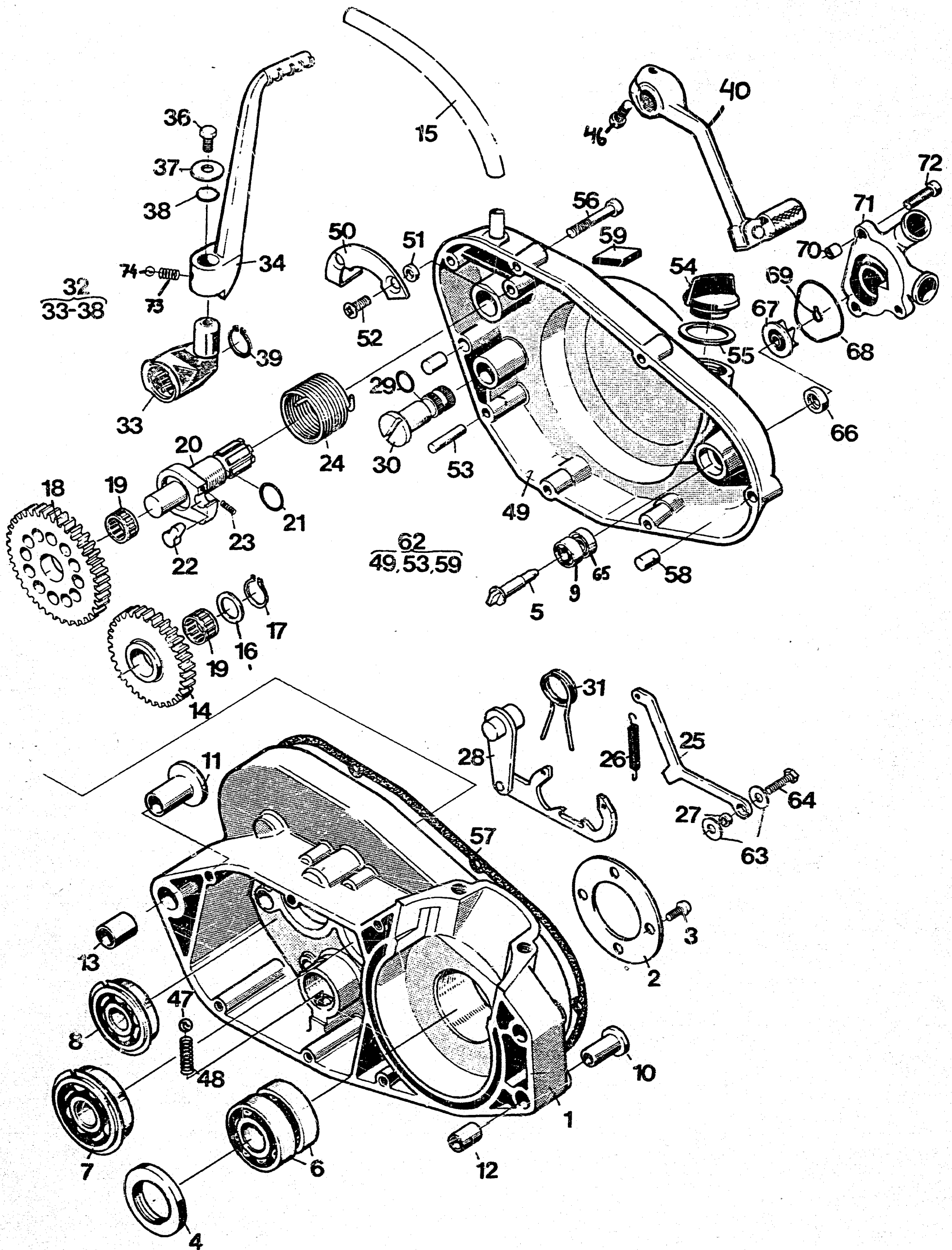


Fig.	Reservdelsnummer Sparepart number	Antal - Quantity													Benämning, Description
		125			240		250			400		500		400	
		CR	WR	XC	CR	WR	CR	WR	XC	EU WR	US WR	CR	XC	XC	
37	16 11 298-01				1	1	1	1	1	1	1	1	1	1	Bricka. Washer
38	74 04 313-10				1	1	1	1	1	1	1	1	1	1	O-ring
39	73 53 122-00				1	1	1	1	1	1	1	1	1	1	Spårring. Circlip
N 40	16 16 359-01				1	1	1	1	1	1	1	1	1	1	Fotväxelpedal, kpl. Shift lever compl.
46	72 55 370-01				1	1	1	1	1	1	1	1	1	1	Skruv M6 x 22. Screw
47	73 86 130-03				1	1	1	1	1	1	1	1	1	1	Kula. Ball
48	16 12 745-01				1	1	1	1	1	1	1	1	1	1	Fjäder. Spring
50	16 11 704-01				1	1	1	1	1	1	1	1	1	1	Fjäderhållare Spring holder
51	16 11 706-01				2	2	2	2	2	2	2	2	2	2	Distans. Distance
52	72 43 370-50				2	2	2	2	2	2	2	2	2	2	Skruv M6 x 20. Screw
53	72 01 361-50				1	1	1	1	1	1	1	1	1	1	Räffelpinne. Pin
54	16 10 786-02				1	1	1	1	1	1	1	1	1	1	Lock. Cap
55	16 12 788-01				1	1	1	1	1	1	1	1	1	1	Packning. Gasket
56	72 55 379-01				7	7	7	7	7	7	7	7	7	7	Skruv M6 x 45. Screw
57	16 11 650-01				1	1	1	1	1	1	1	1	1	1	Packning. Gasket
58	16 11 708-01				2	2	2	2	2	2	2	2	2	2	Styrhylsa. Steering sleeve
59	16 11 709-02				1	1	1	1	1	1	1	1	1	1	Gummistop, kickstart Buffer
61	72 31 328-01				2	2	2	2	2	2	2	2	2	2	Skruv M5 x 14. Screw
62	16 19 874-01				1	1	1	1	1	1	1	1	1	1	Vevhuskåpa vänster, kpl. Transmission cover compl.
63	15 13 734-01				2	2	2	2	2	2	2	2	2	2	Bricka 6.4 x 14. Washer
64	72 52 368-53				1	1	1	1	1	1	1	1	1	1	Skruv M6 x 16. Screw
65	73 82 198-04				1	1	1	1	1	1	1	1	1	1	Lager. Bearing
66	16 17 958-01				1	1	1	1	1	1	1	1	1	1	Tätning. Seal
67	16 17 951-01				1	1	1	1	1	1	1	1	1	1	Pumphjul. Pump wheel
68	74 04 834-03				1	1	1	1	1	1	1	1	1	1	O-ring
69	73 53 108-00				1	1	1	1	1	1	1	1	1	1	Låsring. Circlip
70	16 17 955-01				2	2	2	2	2	2	2	2	2	2	Styrstift. Peg
71	16 17 967-01				1	1	1	1	1	1	1	1	1	1	Pumphus. Pump housing
72	72 55 371-01				3	3	3	3	3	3	3	3	3	3	Skruv M6 x 22. Screw
73	16 11 084-01				1	1	1	1	1	1	1	1	1	1	Fjäder. Spring
74	73 86 120-03				1	1	1	1	1	1	1	1	1	1	Kula. Ball



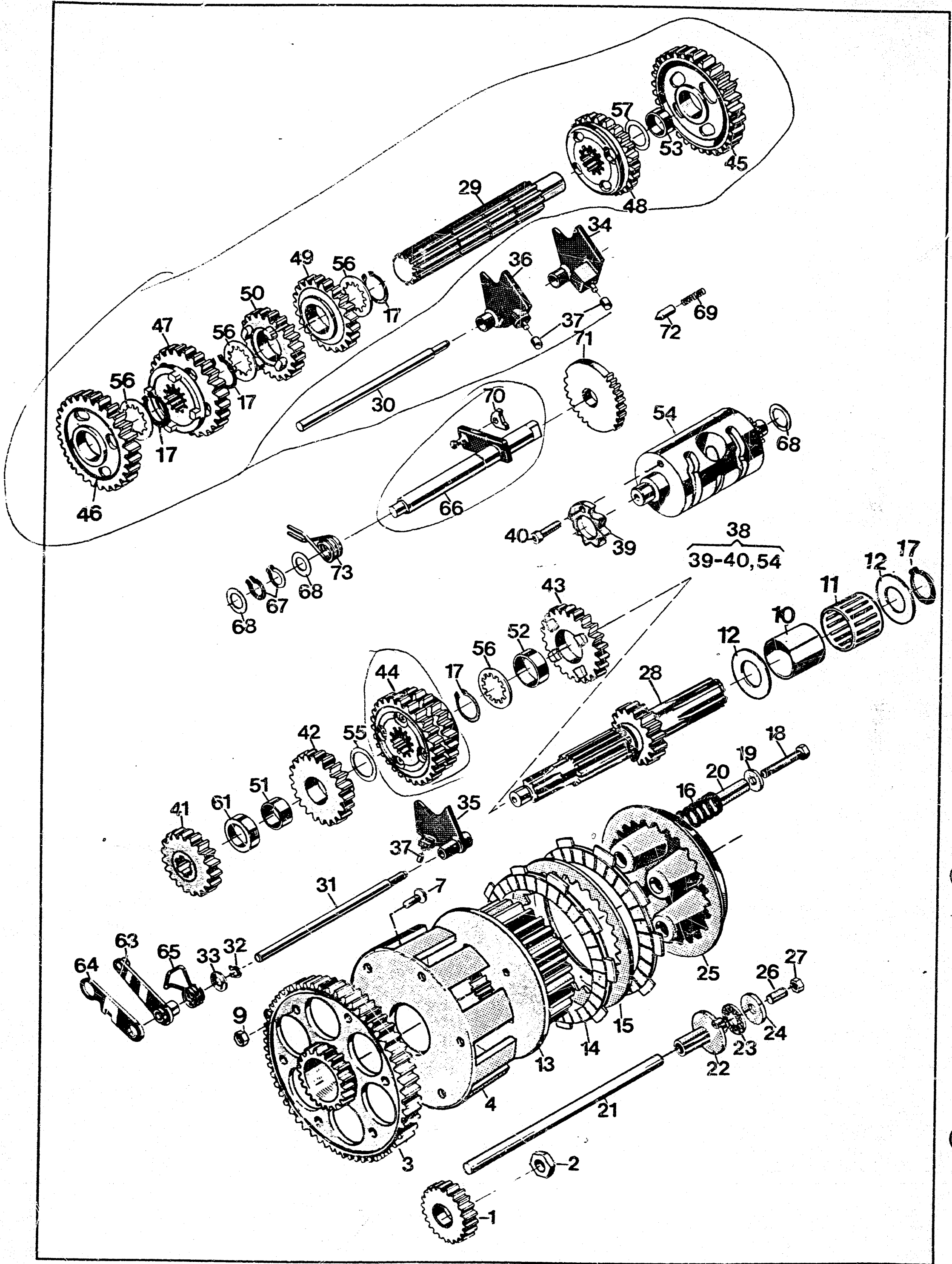


Fig.	Reservdelsnummer Sparepart number	Antal - Quantity													Benämning, Description	
		125			240		250			400		500		400		
		CR	WR	XC	CR	WR	CR	WR	XC	EU WR	US WR	CF	XC	XC		
1	16 11 174-01	1	1	1												Drivhjul z = 29 Driving gear
2	16 11 175-01	1	1	1												Mutter. Nut
3	16 11 283-01	1	1	1												Kopplingskrans Clutch gear
4	16 11 203-01	1	1	1												Kopplingskorg Clutch ring
7	72 56 367-55	6	6	6												Skruv M6 x 16. Screw
9	73 12 316-55	6	6	6												Mutter. Nut
10	16 11 670-01	1	1	1												Innerring. Internal ring
11	16 11 671-01	1	1	1												Nållager Needle bearing
12	16 11 155-01	2	2	2												Bricka. Washer
13	16 11 156-01	1	1	1												Kopplingscentrum Clutch hub
14	16 15 106-01	7	7	7												Lamell m. belägg Disc w. lining
15	16 15 107-01	6	6	6												Lamell. Disc
16	16 15 265-01	5	5	5												Kopplingsfjäder Clutch spring
17	73 53 126-00	4	4	4												Spårring. Circlip
18	72 52 378-71	5	5	5												Skruv M6 x 40. Screw
19	73 44 926-01	5	5	5												Bricka. Washer
20	16 11 169-01	5	5	5												Distanshylsa Distance sleeve
21	16 17 003-02	1	1	1												Tryckstång. Push rod
22	16 11 170-01	1	1	1												Axelhylsa Shaft sleeve
23	16 11 166-01	1	1	1												Axialager Axial bearing
24	16 11 167-01	1	1	1												Axialbricka Axial washer
25	16 11 168-01	1	1	1												Tryckskena Pressure plate
26	72 85 370-00	1	1	1												Skruv TSS6 x 20. Screw
27	15 13 703-01	1	1	1												Mutter M6. Nut
28	16 12 345-01		1	1												Huvudaxel z = 14 Clutch shaft
	16 11 697-01	1														Huvudaxel z = 15 Clutch shaft
29	16 11 280-01	1	1	1												Hjälpaxel Sprocket shaft
30	16 12 843-01	1	1	1												Axel. Shaft
31	16 12 484-01	1	1	1												Axel. Shaft
32	73 53 112-00	1	1	1												Spårring. Circlip
33	16 12 485-01	1	1	1												Bricka. Washer
34	16 11 082-01	1	1	1												Växelförare kpl. 1-5 Gear striker
35	16 11 081-01	1	1	1												Växelförare kpl. 3-4 Gear striker
36	16 11 080-01	1	1	1												Växelförare kpl. 6-2 Gear striker
37	16 12 424-01	1	1	1												Ledrulle. Guide roller
38	16 12 486-01	1	1	1												Kulissrulle, kpl. Linkroller compl.
39	16 12 488-01	1	1	1												Spärrhjul. Ratchet wheel
40	72 55 366-06	1	1	1												Skruv M6 x 12. Screw
41	16 12 351-01		1	1												Kugghjul 2:an z = 17 Gear wheel

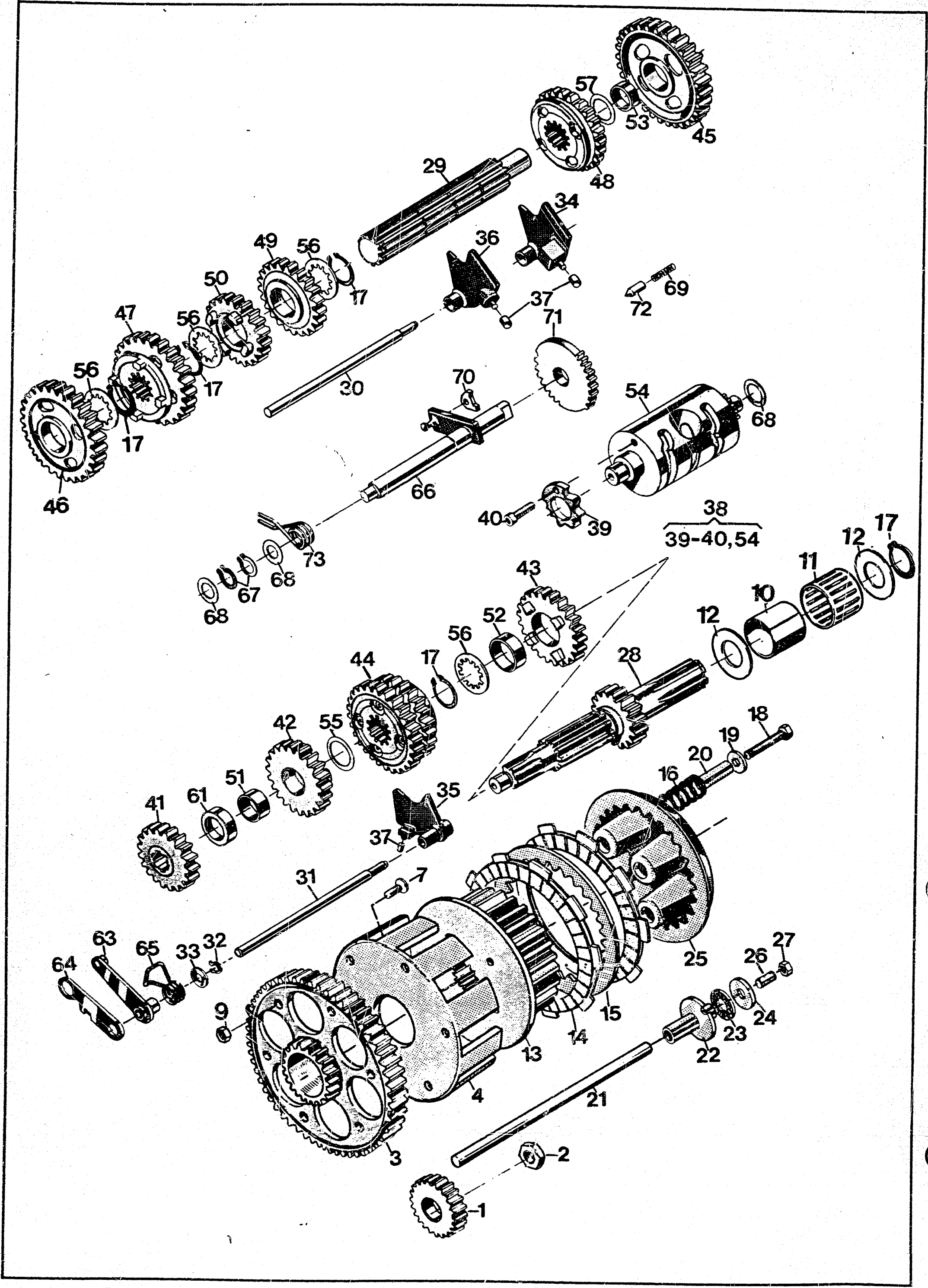




Fig.	Reservdelsnummer Sparepart number	Antal - Quantity													Benämning, Description	
		125			240		250			400		500		400		
		CR	WR	XC	CR	WR	CR	WR	XC	EU WR	US WR	CR	XC	XC		
N	16 16 006-01	1														Kugghjul 2:an z = 18 Gear wheel
42	16 12 363-01	1														Kugghjul 3:an z = 21 Gear wheel
	16 12 349-01		1	1												Kugghjul 3:an z = 20 Gear wheel
43	16 11 837-01		1	1												Kugghjul 4:an z = 23 Gear wheel
N	16 16 007-01	1														Kugghjul 4:an z = 21 Gear wheel
44	16 12 390-01		1	1												Kugghjul 5-6:an z = 25, 27 Gear wheel
N	16 16 008-01	1														Kugghjul 5:an, 6:an z = 23, 24 Gear wheel
45	16 11 711-01	1														Kugghjul 1:an z = 31 Gear wheel
	16 12 346-01		1	1												Kugghjul 1:an z = 33 Gear wheel
46	16 12 347-01		1	1												Kugghjul 2:an z = 29 Gear wheel
N	16 16 009-01	1														Kugghjul 2:an z = 28 Gear wheel
47	16 12 386-01	1														Kugghjul 3:an z = 26 Gear wheel
	16 12 387-01		1	1												Kugghjul 3:an z = 26 Gear wheel
48	16 12 388-01		1	1												Kugghjul 4:an z = 24 Gear wheel
N	16 16 010-01	1														Kugghjul 5:an z = 22 Gear wheel
49	16 11 715-01		1	1												Kugghjul 5:an z = 22 Gear wheel
N	16 16 011-01	1														Kugghjul 6:an z = 22 Gear wheel
N	16 16 012-01	1														Kugghjul 6:an z = 20 Gear wheel
	16 12 357-01		1	1												Kugghjul 6:an z = 20 Gear wheel
51	16 12 480-01	1	1	1												Lagerhylsa Sleeve
52	16 12 418-01	1	1	1												Lagerhylsa Sleeve
53	16 12 415-01	1	1	1												Lagerhylsa Sleeve
56	16 11 717-01	4	4	4												Stöbricka Washer
57	15 13 714-01	1	1	1												Stöbricka Washer
61	16 12 481-01	1	1	1												Distansring Spacer
63	16 12 439-01	1	1	1												Spärrarm Ratchet arm
64	16 12 493-01	1	1	1												Distansarm Distance arm
65	16 12 494-01	1	1	1												Fjäder Spring
66	16 11 279-01	1	1	1												Växlingsaxel Gear shaft
67	73 53 117-00	2	2	2												Spårring Circlip
68	50 32 300-14	3	3	3												Bricka Washer
69	16 12 593-01	1	1	1												Fjäder Spring
70	16 12 895-01	1	1	1												Medbringare Pawl
71	16 12 870-01	1	1	1												Stegmatare Stepfeder
72	16 12 455-01	1	1	1												Spärrhylsa Ratchet sleeve
73	16 12 594-01	1	1	1												Fjäder Spring

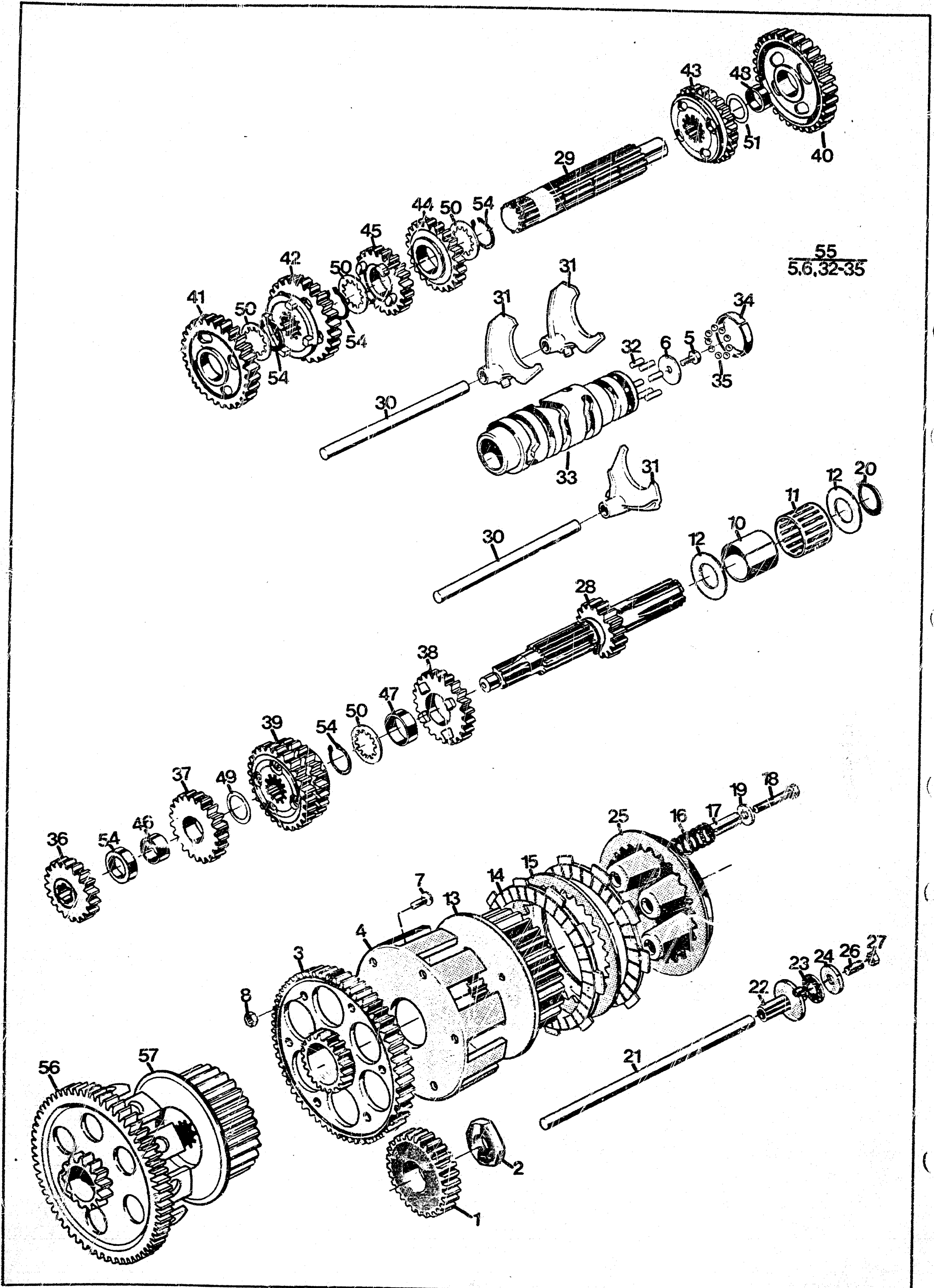


Fig.	Reservdelnummer Sparepart number	Antal - Quantity													Benämning, Description	
		125			240		250			400		500		400		
		CR	WR	XC	CR	WR	CR	WR	XC	EU WR	US WR	CR	XC	XC		
1	16 11 178-01 16 11 075-01					1		1	1		1	1		1	1	Drivhjul Driving gear
2	16 11 101-01					1		1	1		1	1		1	1	Mutter. Nut
3	16 14 427-01													1		Kopplingskrans Gear wheel, clutch
4	16 11 203-01													1		Kopplingskorg
5	72 52 364-86					1		1			1	1		1	1	Skruv M6 x 10. Screw
6	15 13 709-01					1		1	1		1	1		1	1	Bricka 6.5 x 22. Washer
7	72 56 367-55													6		Skruv. Screw
8	73 12 316-55													6		Mutter M6. Nut
10	16 11 670-01					1		1	1		1	1		1	1	Innerring Internal ring
11	16 11 671-01					1		1	1		1	1		1	1	Nålhallare Needle ring
12	16 11 155-01					2		2	2		2	2		2	2	Bricka. Washer
14	16 15 108-01					8		8	8		8	8		8	8	Lamell. Disc
15	16 15 107-01					7		7	7		7	7		7	7	Lamell. Disc
16	16 15 265-01 16 15 265-02					5		5	5		5	5		5	5	Kopplingsfjäder Clutch spring
17	16 11 169-01					5		5	5		5	5		5	5	Distanshylsa Distance sleeve
18	72 52 378-71					5		5	5		5	5		5	5	Skruv M6 x 40. Screw
19	73 44 926-01					5		5	5		5	5		5	5	Bricka. Washer
20	73 53 126-00					1		1	1		1	1		1	1	Sparring. Circlip
21	16 15 315-01					1		1	1		1	1		1	1	Tryckstång. Push rod
22	16 11 170-01					1		1	1		1	1		1	1	Axeldel. Shaft
23	16 11 166-01					1		1	1		1	1		1	1	Axiallager. Axial bearing
24	16 11 167-01					1		1	1		1	1		1	1	Axialbricka. Axial washer
25	16 11 168-02					1		1	1		1	1		1	1	Tryckskiva. Pressure plate
26	72 85 370-00					1		1	1		1	1		1	1	Skruv. Screw
27	73 12 316-55					1		1	1		1	1		1	1	Mutter. Nut
28	16 12 345-01 16 12 360-01					1		1	1		1	1		1	1	Huvudaxel. Clutch shaft Huvudaxel. Clutch shaft
29	16 12 350-01					1		1	1		1	1		1	1	Hjälpaxel Sprocket shaft
30	16 11 699-01					2		2	2		2	2		2	2	Axel. Shaft
31	16 12 384-01					3		3	3		3	3		3	3	Växelförare Gear striker
32	72 01 268-50					6		6	6		6	6		6	6	Pinne. Pin
34	16 12 699-01					1		1	1		1	1		1	1	Kulbana. Outer race
35	73 86 120-03					11		11	11		11	11		11	11	Kula. Ball
36	16 12 362-01 16 12 351-01					1		1	1		1	1		1	1	Kugghjul 2:an Huvudaxel Gear wheel
37	16 12 363-01 16 12 349-01					1		1	1		1	1		1	1	Kugghjul 3:an Huvudväxel Gear wheel
38	16 11 837-01					1		1	1		1	1		1	1	Kugghjul 4:an Huvudaxel Gear wheel
39	16 12 390-01					1		1	1		1	1		1	1	Kugghjul 5:an-6:an Huvudaxel Gear wheel
40	16 12 361-01 16 12 346-01					1		1	1		1	1		1	1	Kugghjul 1:an Hjälpaxel Gear wheel
41	16 12 365-01										1	1		1	1	Kugghjul 2:an Hjälpaxel



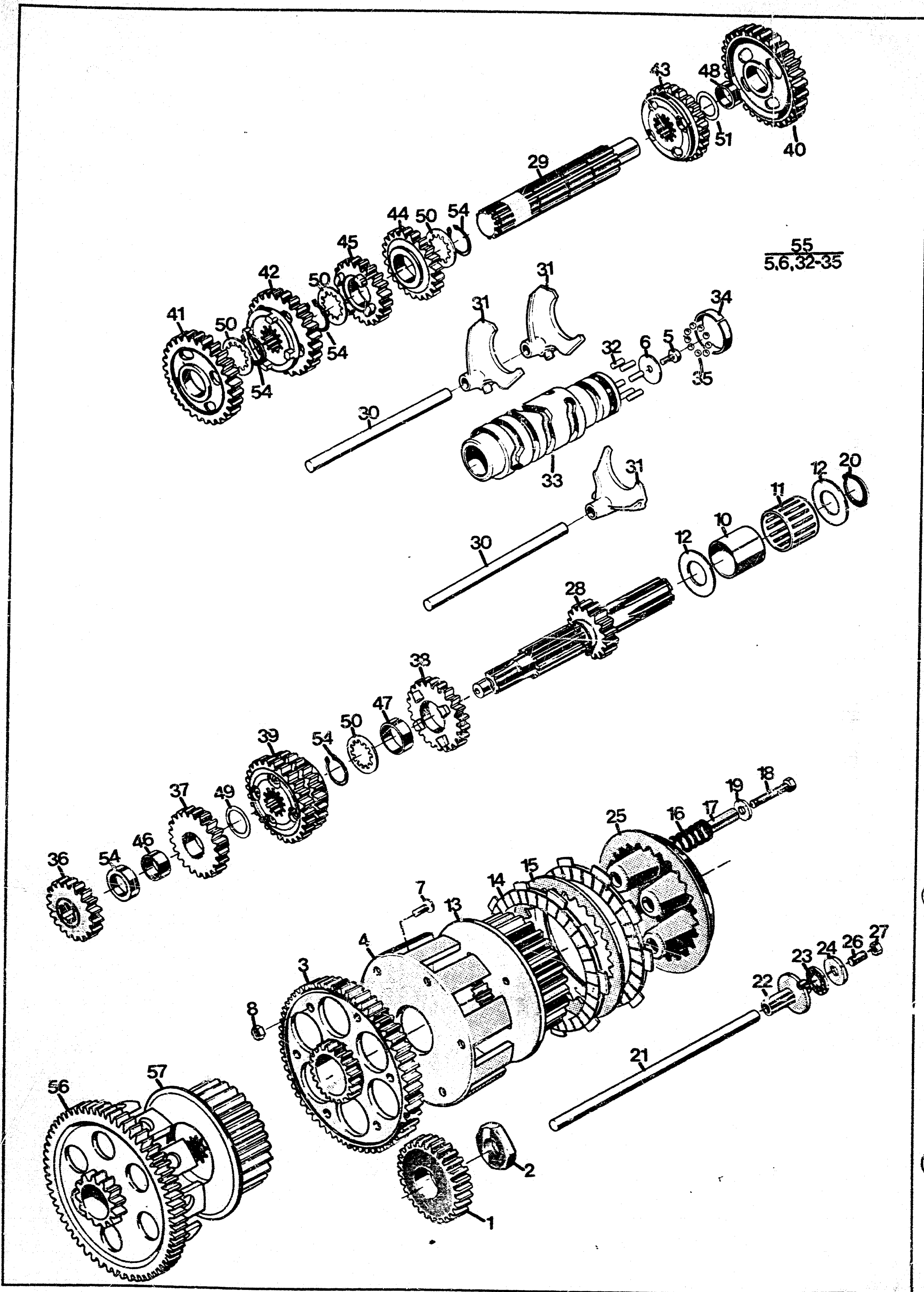


Fig.	Reservdelsnummer Sparepart number	Antal - Quantity													Benämning, Description	
		125			240		250			400		500		400		
		CR	WR	XC	CR	WR	CR	WR	XC	EU WR	US WR	CR	XC	XC		
	16 12 347-01					1		1	1							Kuggjul 2:an Hjälpaxel Gear wheel
42	16 12 386-01 16 12 387-01					1		1	1	1	1			1	1	Kuggjul 3:an Hjälpaxel Gear wheel
43	16 12 388-01					1		1	1	1	1			1	1	Kuggjul 4:an Hjälpaxel Gear wheel
44	16 11 715-01					1		1	1	1	1			1	1	Kuggjul 5:an Hjälpaxel Gear wheel
45	16 12 357-01					1		1	1	1	1			1	1	Kuggjul 6:an Hjälpaxel Gear wheel
46	16 12 480-01					1		1	1	1	1			1	1	Lagerhylsa 3:an Huvudaxel Sleeve
47	16 12 418-01					1		1	1	1	1			1	1	Lagerhylsa 4:an Huvudaxel Sleeve
48	16 12 415-01					1		1	1	1	1			1	1	Lagerhylsa 1:an Hjälpaxel Sleeve
49	16 12 842-01					1		1	1	1	1			1	1	Stöbricka Washer
50	16 11 717-01					4		4	4	4	4			4	4	Stöbricka Washer
51	15 13 714-01					1		1	1	1	1			1	1	Stöbricka Washer
53	16 12 481-01					1		1	1	1	1			1	1	Distansring, huvudaxel Spacer, clutch shaft
54	73 53 126-00					5		5	5	5	5			5	5	Spåring Circlip
55	16 11 701-01					1		1	1	1	1			1	1	Kulissrulle, kpl. Link roller
N 56	16 14 425-01 16 14 426-01					1		1	1		1	1			1	Kopplingskrans Gear wheel clutch Kopplingskrans Gear wheel clutch
57	16 15 088-01					1		1	1	1	1			1	1	Kopplingscentrum Clutch hub

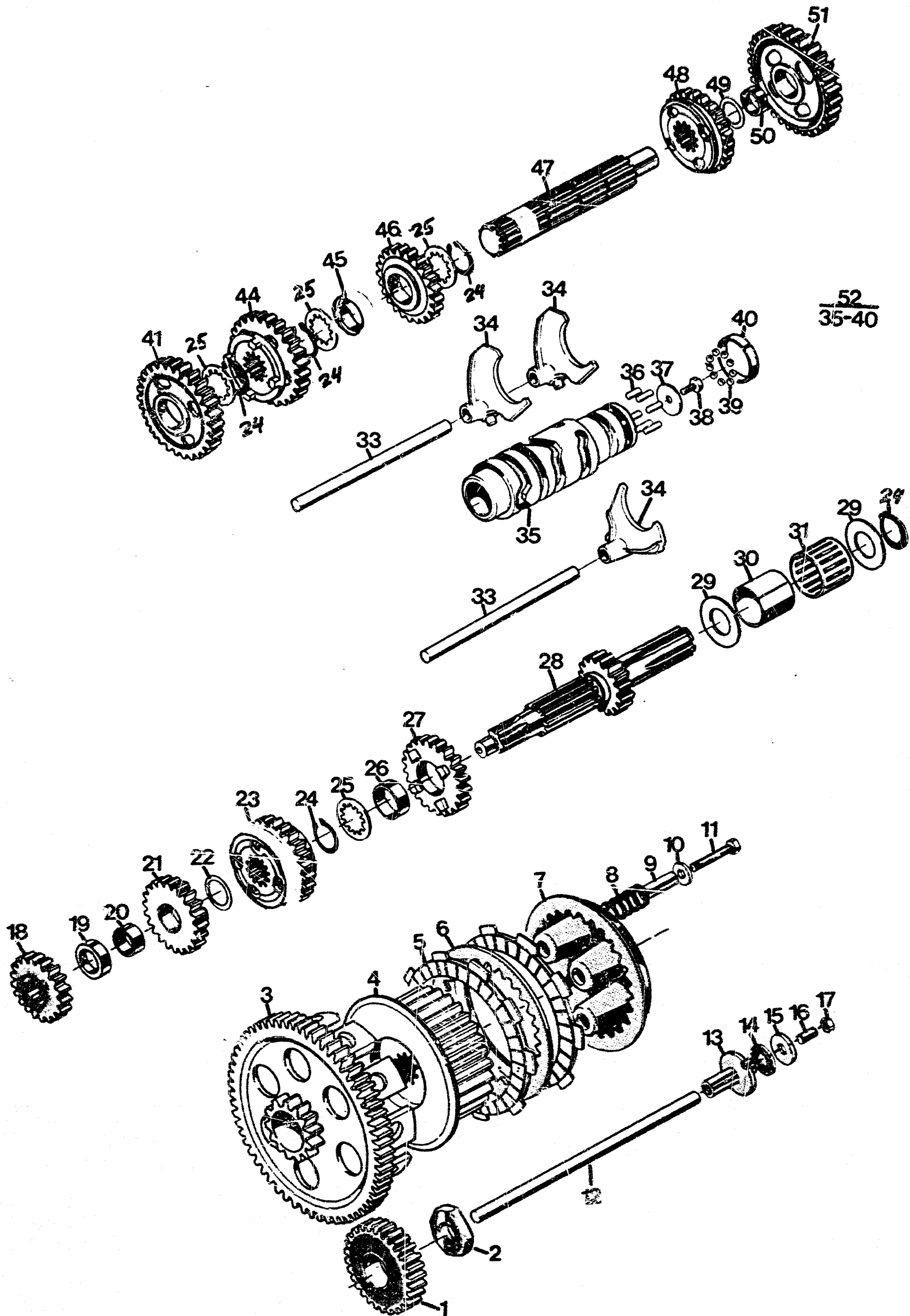




Fig.	Reservdelnummer Sparepart number	Antal - Quantity													Benämning, Description	
		125			240		250			400		500		400		
		CR	WR	XC	CR	WR	CR	WR	XC	EU WR	US WR	CR	XC	XC		
1	16 11 178-01				1		1									Drivhjul. Driving gear
2	16 11 101-01				1		1									Mutter. Nut
3	16 14 425-01				1		1									Kopplingskrans Gear wheel, clutch
4	16 15 088-01				1		1									Kopplingscentrum Clutch hub
5	16 15 106-01				8		8									Lamell med belägg Clutch plate with lining
6	16 15 107-01				7		7									Lamell. Clutch plate
7	16 11 168-02				1		1									Tryckplatta. Pressure plate
8	16 15 265-01				5		5									Fjäder. Spring
9	16 11 169-01				5		5									Distans. Spacer
10	73 44 926-01				5		5									Bricka. Washer
11	72 52 378-71				5		5									Skruv M6 x 40. Screw
N 12	16 15 315-01				1		1									Tryckstäng. Push rod
13	16 11 170-01				1		1									Axeldel. Shaft
14	16 11 166-01				1		1									Axiallager. Bearing
15	16 11 167-01				1		1									Axialbricka. Washer
16	72 85 370-00				1		1									Skruv M6 x 20. Screw
17	15 13 703-01				1		1									Mutter. Nut
18	16 12 352-01				1		1									Kugghjul 2:an. Gear wheel 2:nd
19	16 12 481-01				1		1									Distans. Spacer
20	16 12 480-01				1		1									Lagerhylsa. Sleeve
21	16 11 703-01				1		1									Kugghjul 3:an. Gear wheel 3:rd
22	16 12 942-01				1		1									Bricka. Washer
23	16 14 595-01				1		1									Kugghjul 5:an. Gear wheel 5:th
24	73 53 126-00				5		5									Spärring. Circlip
25	16 11 717-01				4		4									Stödbricka. Washer
26	16 12 416-01				1		1									Lagerhylsa. Sleeve
27	16 11 337-01				1		1									Kugghjul 4:an. Gear wheel 4:th
28	16 16 002-01				1		1									Huvudaxel. Mainshaft
29	16 11 155-01				2		2									Bricka. Washer
30	16 11 670-01				1		1									Innrering. Sleeve
31	16 11 671-01				1		1									Nållager. Needle bearing
33	16 11 699-01				2		2									Axel. Shaft
34	16 12 384-01				3		3									Växelförars. Shift fork
36	72 01 268-50				6		6									Pinne. Pin
37	15 13 709-01				1		1									Bricka. Washer
38	72 52 364-86				1		1									Skruv M6 x 10. Screw
39	73 86 120-03				11		11									Kula. Ball
40	16 12 699-01				1		1									Kulbana. Race
41	16 12 354-01				1		1									Kugghjul 2:an. Gear wheel 2:nd
44	16 12 385-01				1		1									Kugghjul 3:an. Gear wheel 3:rd
45	16 14 594-01				1		1									Distans. Spacer
46	16 11 715-01				1		1									Kugghjul 5:an. Gear wheel 5:th
47	16 12 350-01				1		1									Hjälpaxel. Auxiliary shaft
48	16 12 388-01				1		1									Kugghjul 4:an. Gear wheel 4:th
49	15 13 714-01				1		1									Bricka. Washer
50	16 12 415-01				1		1									Lagerhylsa. Sleeve
51	16 16 003-01				1		1									Kugghjul 1:an. Gear wheel 1:st
52	16 14 596-01				1		1									Kulsnulle kpl. Shift drum

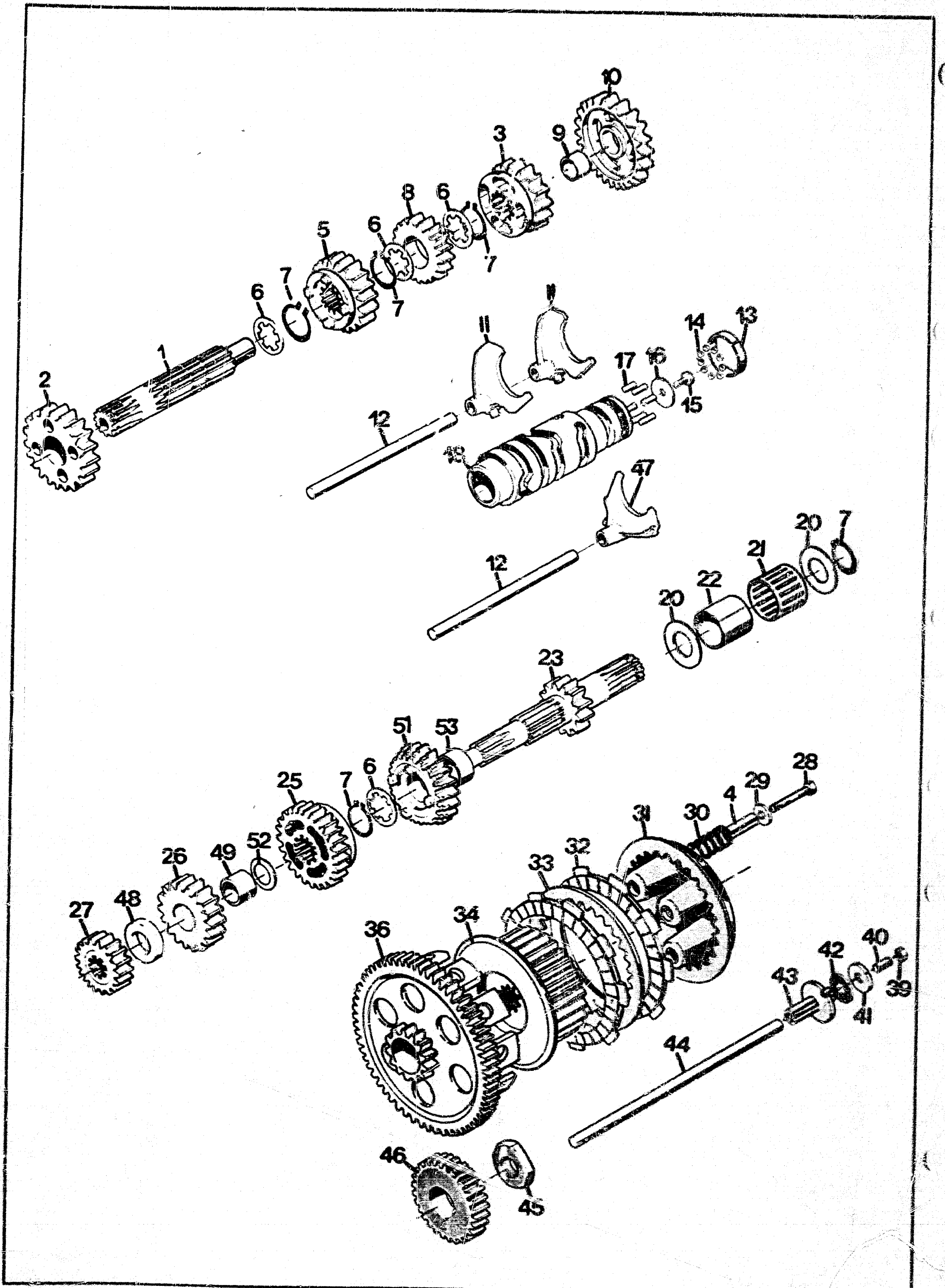


Fig.	Reservdelsnummer Sparepart number	Antal - Quantity												Benämning, Description			
		125			240		250			400		500			400		
		CR	WR	XC	CR	WR	CR	WR	XC	EU WR	US WR	CR	XC		XC		
N	1	16 16 025-01												1			Hjälpaxel. Auxiliary shaft
N	2	16 16 022-01												1			Kugghjul 2:an Gearwheel 2:nd z = 26
N	3	16 16 024-01												1			Kugghjul 5:an. Gearwheel 5:th z = 22
	4	16 11 160-01												5			Distans. Spacer
N	5	16 16 023-01												1			Kugghjul 4:an. Gearwheel 4:th z = 24
	6	16 11 717-01												4			Stödbricka. Support washer
	7	73 53 126-00												5			Spärring. Circlip
N	8	16 16 025-01												1			Kugghjul 3:an. Gearwheel 3:rd z = 20
N	9	16 12 415-01												1			Lagerhylsa. Bearing sleeve
N	10	16 16 021-01												1			Kugghjul 1:an. Gearwheel 1:st z = 29
	11	16 12 384-01												2			Växelförare. Shiftfork
	12	16 11 699-01												2			Axel. Shaft
	13	16 12 699-01												1			Kulbana. Outer race
	14	73 86 120-03												11			Kula. Ball
	15	72 52 364-86												1			Skruv M6 x 10. Screw
	16	15 13 709-01												1			Bricka 6.5 x 22 x 1.5. Washer
	17	72 01 268-50												6			Pinne. Pin
N	19	16 16 354-01												1			Kulisculle, kpl. Linkroller compl.
	20	16 11 155-01												2			Bricka. Washer
	21	16 11 671-01												1			Nållager, 28 x 33 x 27. Needle bearing
	22	16 11 670-01												1			Innerring. Bearing sleeve
N	23	16 16 016-01												1			Huvudaxel. Mainshaft z = 17
	24	16 12 381-01												1			Lagringshylsa. Bearing sleeve
N	25	16 16 020												1			Kugghjul 3:an. Gearwheel 3:rd z = 27
N	26	16 16 018-01												1			Kugghjul 4:an. Gearwheel 4:th z = 22
N	27	16 16 017-01												1			Kugghjul 2:an. Gearwheel 2:nd z = 19
	28	72 52 378-71												5			Skruv, M6 x 40. Screw
	29	73 44 926-01												5			Bricka, 8.4 x 17. Washer
	30	16 15 265-02												5			Kopplingsfjäder. Clutch spring
	31	16 11 168-02												1			Tryckskiva. Pressure plate
	32	16 15 106-01												8			Lamell med belägg. Disc with lining
	33	16 15 107-01												7			Lamell. Disc
	34	16 15 088-01												1			Kopplingscentrum. Clutch hub
	36	16 14 426-01												1			Kopplingskorg. Clutch ring
	39	15 13 703-01												1			Mutter M6. Nut
	40	72 85 370-00												1			Skruv M6. Screw
	41	16 11 167-01												1			Bricka. Washer
	42	16 11 166-01												1			Axiallager. Bearing
	43	16 11 170-01												1			Axel del. Shaft
	44	16 15 315-01												1			Tryckstång. Push rod
	45	16 11 101-01												1			Mutter. Nut
	46	16 11 075-01												1			Drivhjul. Drive gear
N	48	16 16 027-01												1			Distans. Spacer
N	49	16 16 360-01												1			Lager Hylsa. Bearing sleeve
N	50	16 16 361-01												1			Lager hylsa. Bearing sleeve
N	51	16 16 019-01												1			Kugghjul 5:an. Gearwheel 5:th z = 25
N	52	16 12 842-01												1			Bricka. Washer
N	53	16 16 361-01												1			Lagerhylsa. Bearing sleeve



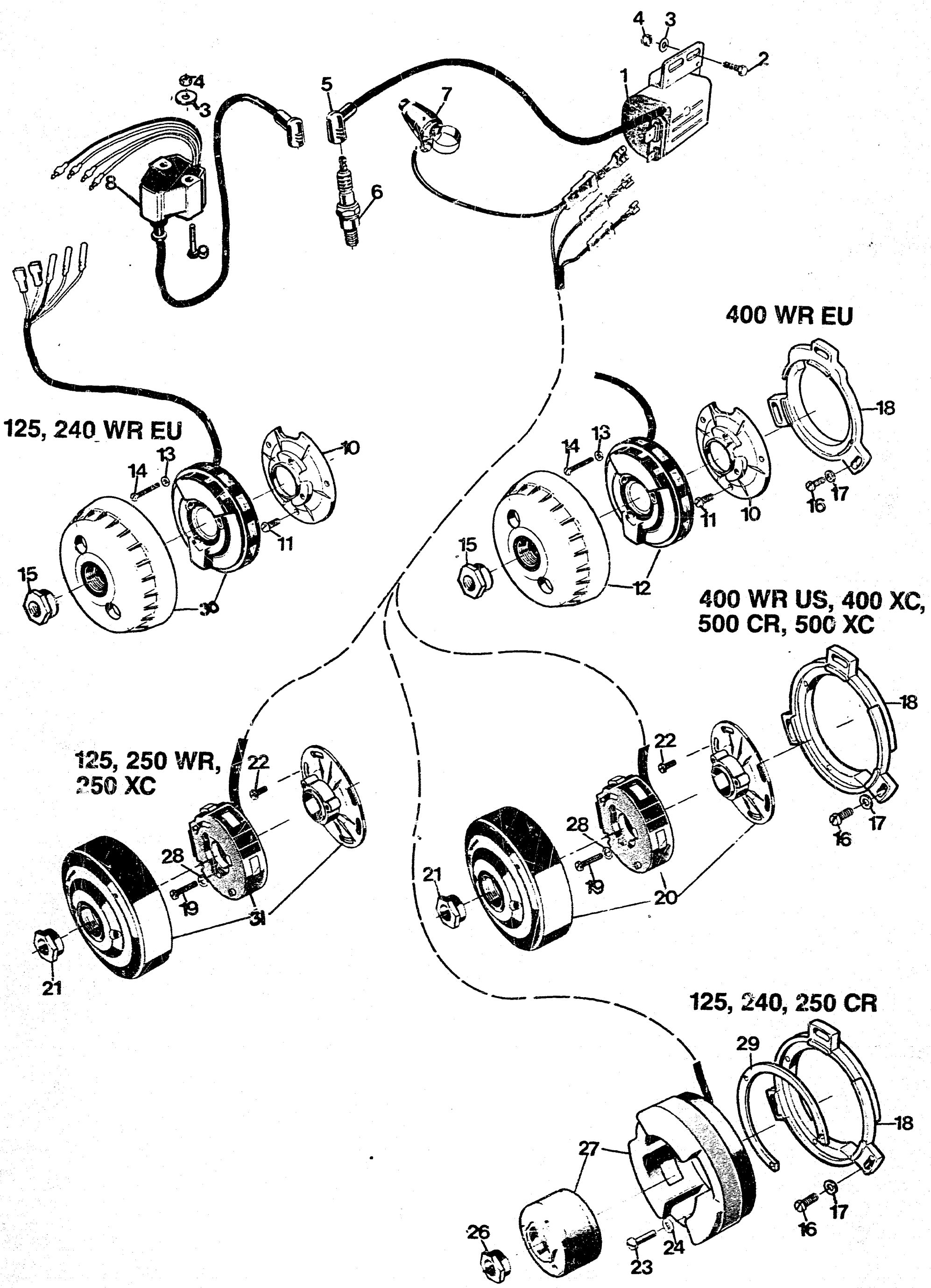
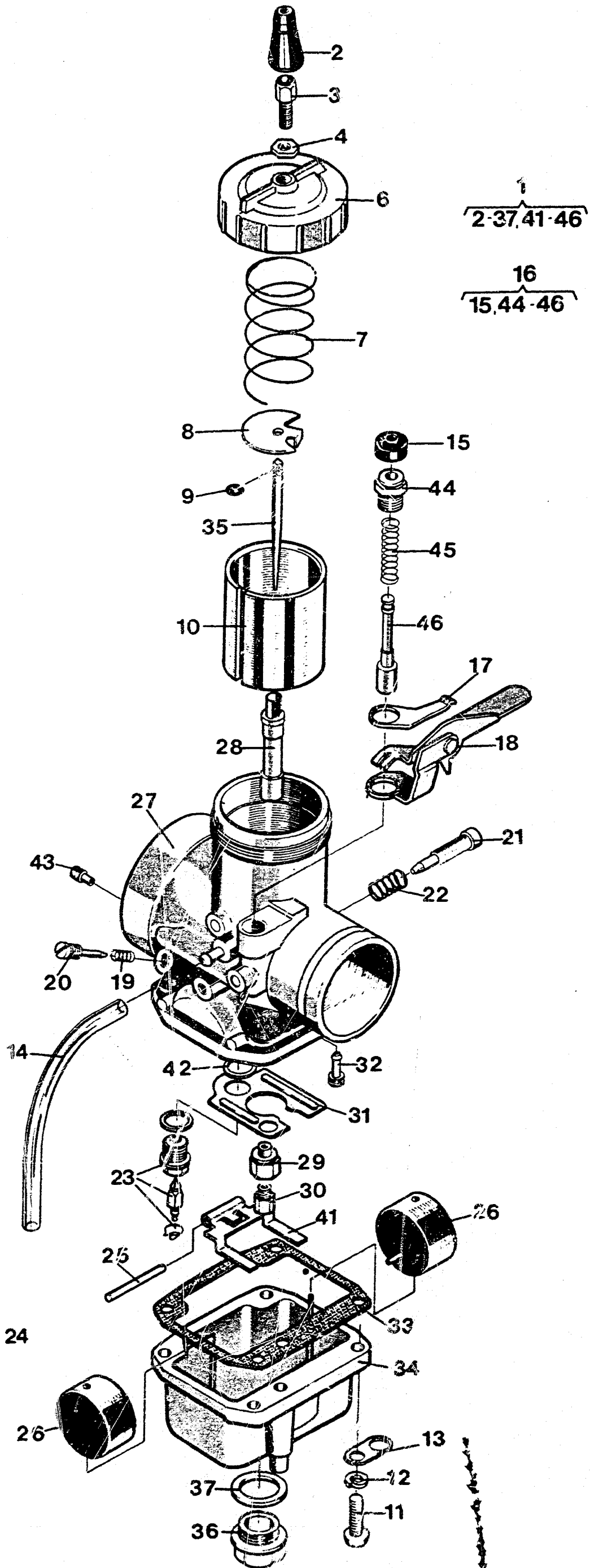


Fig.	Reservdelsnummer Sparepart number	Antal - Quantity													Benämning, Description	
		125			240		250			400		500		400		
		CR	WR	XC	CR	WR	CR	WR	XC	EU WR	US WR	CR	XC	XC		
1	16 14 714-01	1		1	1			1	1	1			1	1	1	Tändspole. Ignition coil
2	72 52 368-51	2		2	2			2		2			2	2	2	Skruv M6 x 16. Screw
3	73 41 153-01	2	2	2	2	2	2	2	2	2	2	2	2	2	2	Bricka 6.4 x 12. Washer
4	73 22 116-01	2	2	2	2	2	2	2	2	2	2	2	2	2	2	Mutter M6. Nut
5	16 14 635-01	1	1	1	1	1	1	1	1	1	1	1	1	1	1	Tändstiftshatt Sparkling plug cap
6	16 14 769-01				1	1	1	1	1	1	1	1	1	1	1	Tändstift Bosch W4C. Spark plug
	16 14 769-02	1	1	1												Tändstift Bosch W3C. Spark plug
7	15 17 281-01	1	1	1	1	1	1	1	1	1	1	1	1	1	1	Kortslutningsknapp Kill button
N 8	16 14 816-02		1			1										Tändspole. Ignition coil
	16 14 817-02									1						Tändspole. Ignition coil
9	72 52 380-51		2			2				2						Skruv M6 x 50. Screw
10	16 14 778-01		1			1				1						Fästplatta Mounting plate
11	72 55 332-55		3			3				3						Skruv M5 x 55. Screw
12	16 14 798-01		1			1				1						Magnet, kpl. Magneto, compl.
13	73 44 880-01		3			3				3						Bricka 5.3 x 12. Washer
14	72 31 335-55		3			3				3						Skruv M5 x 30. Screw
15	16 11 191-01		1			1				1						Mutter. Nut
16	72 55 332-55				3	3	3	3	3	3	3	3	3	3	3	Skruv M5 x 22. Screw
17	15 13 730-01				3	3	3	3	3	3	3	3	3	3	3	Bricka 6.4 x 12. Washer
18	16 14 165-01				1	1	1	1	1	1	1	1	1	1	1	Fästplatta. Mounting plate
19	72 55 295-55			3				3	3			3		3	3	Skruv M4 x 20. Screw
20	16 14 794-01									1	1	1	1	1	1	Magnet, kpl. Magneto, compl.
21	16 11 191-02			1				1	1	1	1	1	1	1	1	Mutter. Nut
22	72 55 328-01			3				3	3	3	3	3	3	3	3	Skruv M5 x 14. Screw
23	72 55 335-55	3			3			3								Skruv M5 x 25. Screw
24	15 13 730-01	3			3			3								Bricka 6.4 x 12. Washer
26	16 11 191-03	1			1			1								Mutter. Nut
27	16 14 790-01	1			1			1								Magnet, kpl. Magneto, compl.
28	73 44 851-01			3				3	3			3	3	3	3	Bricka 4.3 x 8. Washer
29	16 14 167-01	1			1			1								Distansplatta. Spacer plate
31	16 14 801-01			1				1	1							Magnet, kpl. Magneto, compl.





Fig.	Reservdelsnummer Sparepart number	Antal - Quantity													Benämning, Description	
		125			240		250			400		500		400		
		CR	WR	XC	CR	WR	CR	WR	XC	EU WR	US WR	CR	XC	XC		
N 1	16 13 834-01 16 13 833-01	1	1	1												Förgasare Mikuni Ø 36 mm Carburettor
2	16 13 777-01	1	1	1												Skyddshylsa. Protection sleeve
3	16 13 757-01	1	1	1												Ställskruv. Adjuster
4	16 13 758-01	1	1	1												Mutter. Nut
6	16 13 570-01	1	1	1												Förgasartäck. Cover
7	16 13 571-01	1	1	1												Fjäder. Spring
8	16 13 584-01	1	1	1												Wire lås. Wire lock
9	16 13 583-01	1	1	1												Nålclip. Needle clip
10	16 13 785-01	1	1	1												Trottel ca 2.0 (Ø 36 mm) Throttle
11	72 41 329-01	4	4	4												Skruv M5 x 16. Screw
12	73 51 146-01	4	4	4												Bricka. Washer
13	16 13 569-01	2	2	2												Hållare. Holder
14	16 13 448-01	2	2	2												Slang. Hose
15	16 13 590-01	1	1	1												Gummiskydd Rubber cap
16	16 13 589-01	1	1	1												Startventil kpl Start valve compl.
17	16 13 594-01	1	1	1												Fjäder. Spring
18	16 13 595-01	1	1	1												Chokereglage Choke lever
19	16 13 572-01	1	1	1												Fjäder. Spring
20	16 13 573-01	1	1	1												Luftskruv. Airscrew
21	16 13 782-01	1	1	1												Ställskruv. Adjusting screw
22	16 13 587-01	1	1	1												Fjäder. Spring
23	16 13 565-01	1	1	1												Nålventil kpl. Needle valve compl.
24	16 13 585-01	2	2	2												Flottörstopp. Cap
25	16 13 566-01	1	1	1												Stift. Peg
26	16 13 578-01	2	2	2												Flottör. Float
28	16 13 790-01	1	1	1												Nålmunstycke R0. Needle jet
29	16 13 580-01	1	1	1												Mellanskruv Distance screw
30	16 13 682-01	1	1	1												Huvudmunstycke 340 Main jet
31	16 13 586-01	1	1	1												Skvalppiät Baffle plate
32	16 13 546-01	1	1	1												Tomgångsmunstycke P.J 45 Pilot jet
33	16 13 543-01	1	1	1												Packning. Gasket
34	16 13 778-01	1	1	1												Flottörhus. Float chamber
35	16 13 804-01	1	1	1												Nål 6L1. Needle
36	16 13 780-01	1	1	1												Bottenskruv Drain screw
37	16 13 781-01	1	1	1												Packning. Gasket
41	16 13 564-01	1	1	1												Flottörm Float lever
42	16 13 565-01	2	2	2												Bricka. Washer
43	16 13 568-01	1	1	1												Luftmunstycke 2.0 Air jet







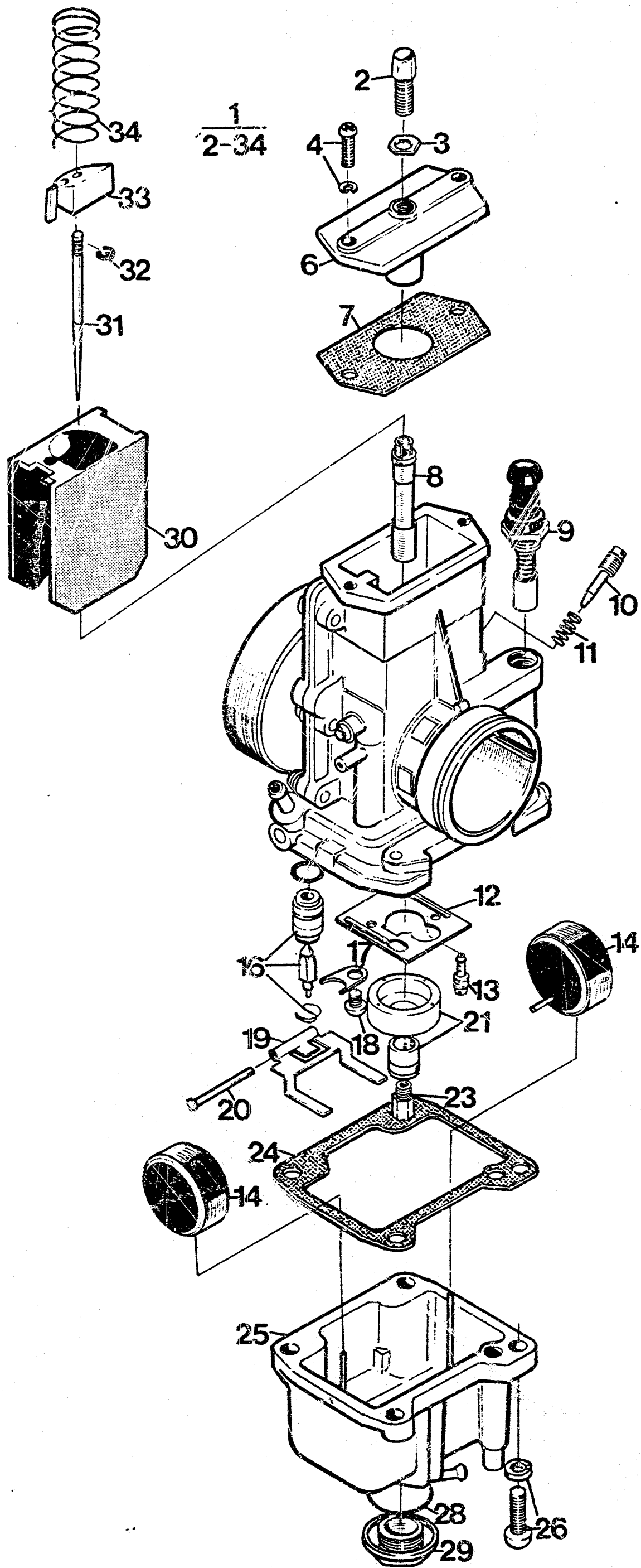
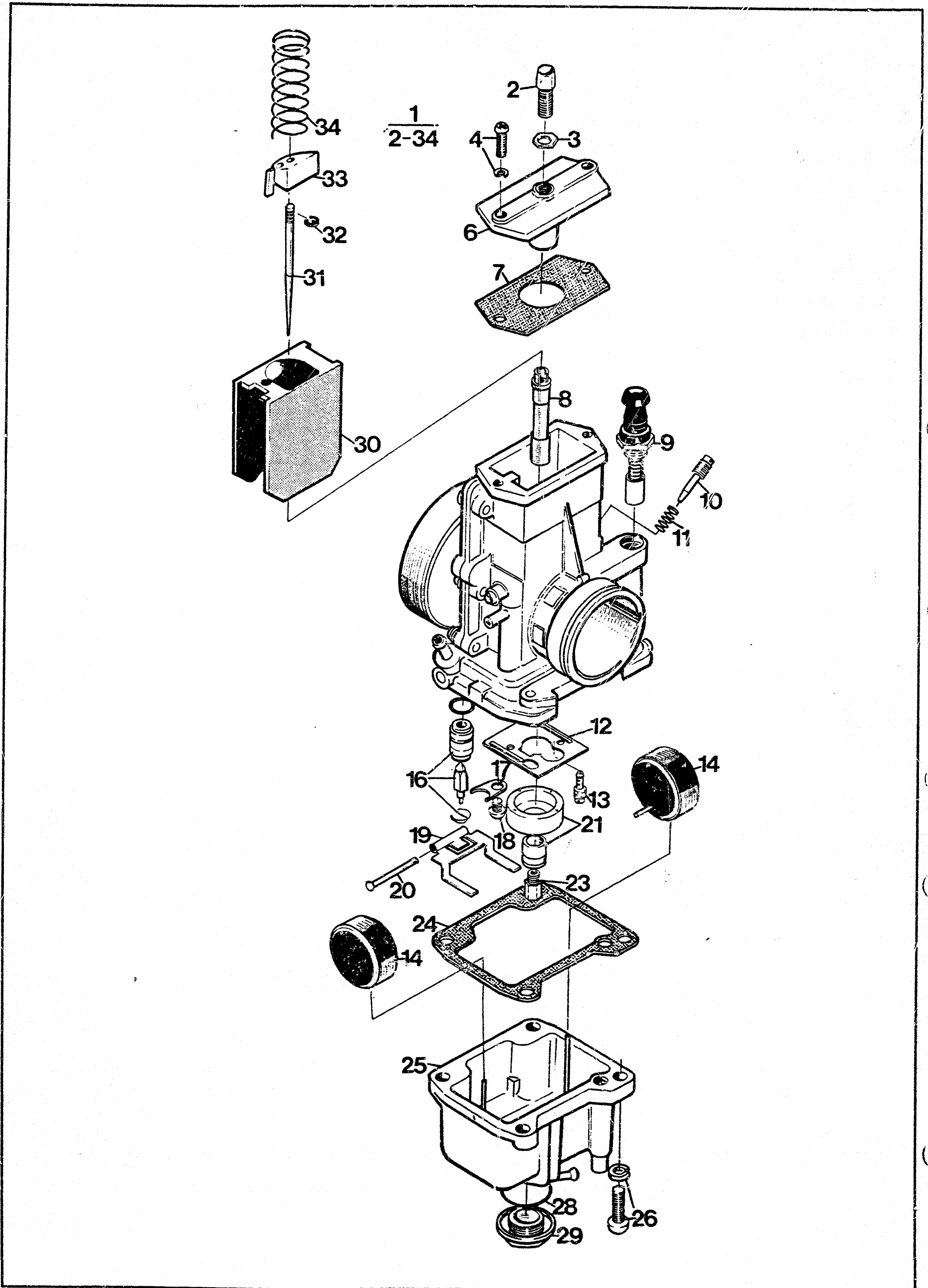


Fig.	Reservdelsnummer Sparepart number	Antal - Quantity													Benämning, Description	
		125			240		250			400		500		400		
		CR	WR	XC	CR	WR	CR	WR	XC	EU WR	US WR	CR	XC	XC		
N 1	16 13 836-01				1		1		1							Förgasare, kpl. Ø38 Carburettor compl.
2	16 13 757-01				1		1		1							Justerskruv Adjuster
3	16 13 758-01				1		1		1							Mutter Nut
4	16 13 741-01				2		2		2							Skruv Screw
6	16 13 767-01				1		1		1							Lock Cover
7	16 13 763-01				1		1		1							Packning Gasket
8	16 13 731-01				1		1		1							Nålmunstycke Ø 6 Needle jet
9	16 19 857-01				1		1		1							Startventil Choke valve compl.
10	16 13 752-01				1		1		1							Luftskruv Airscrew
11	16 13 753-01				1		1		1							Fjäder Spring
12	16 13 759-01				1		1		1							Skvalpskydd Plate
13	16 13 545-01				1		1		1							Tomgångsmunstycke 40 Pilot jet
14	16 13 578-01				2		2		2							Flottör Float
16	16 13 742-01				1		1		1							Nålventil Valve
17	16 13 754-01				1		1		1							Hållare Holder
18	16 13 755-01				1		1		1							Skruv Screw
19	16 13 564-0				1		1		1							Flottörm Float lever
20	16 13 566-01				1		1		1							Stift Peg
21	16 13 748-01				1		1		1							Labyrint
23	16 13 686-01				1		1		1							Huvudmunstycke 380 Main jet
24	16 13 739-01				1		1		1							Packning Gasket
25	16 13 740-01				1		1		1							Flottörhus Float chamber
26	16 13 746-01				4		4		4							Skruv Screw
28	16 13 750-01				1		1		1							O-ring
29	16 13 749-01				1		1		1							Bottenskrub Drain screw
30	16 13 736-01				1		1		1							Trottel 4.0 Throttle
31	16 13 747-01				1		1		1							Nål 6 FJ 40 Needle
32	16 13 583-01				1		1		1							Nålclip Needle clip
33	16 13 762-01				1		1		1							Wirelås Wire lock
34	16 13 764-01				1		1		1							Fjäder Spring







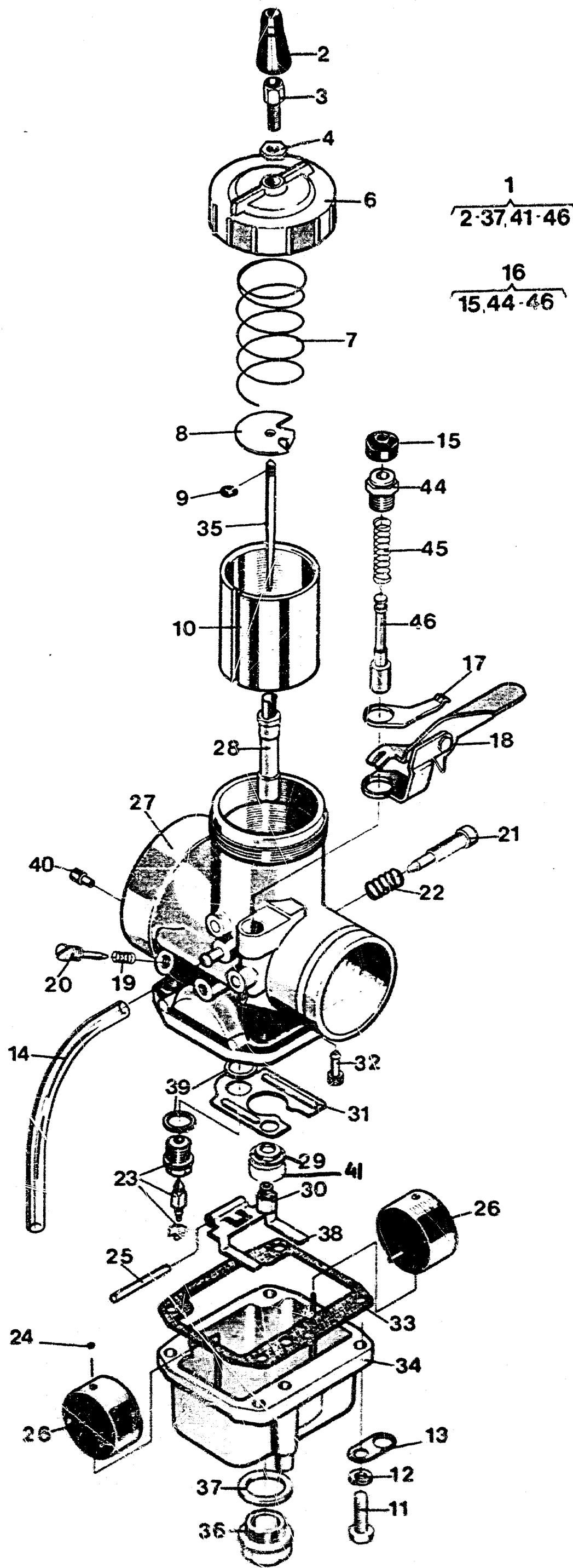


Fig.	Reservdelnummer Sparepart number	Antal - Quantity													Benämning, Description		
		125			240		250			400		500		400			
		CR	WR	XC	CR	WR	CR	WR	XC	EU WR	US WR	CR	XC	XC			
N	1	16 13 837-01					1										Förgasare Mikuni Ø 38. Carburettor
N		16 13 838-01						1									Förgasare Mikuni Ø38. Carburettor
N		16 13 821-01								1							Förgasare Mikuni Ø38. Carburettor
N		16 13 794-01									1					1	Förgasare Mikuni Ø38. Carburettor
	2	16 13 128-01					1	1		1	1						Skyddshylsa Protection sleeve
	3	16 13 916-01					1	1		1	1						Ställskruv. Adjuster
	4	16 13 908-01					1	1		1	1						Mutter. Nut
	6	16 13 570-01					1	1		1	1						Förgasarlock Cover
	7	16 13 571-01					1	1		1	1						Fjäder Spring
	8	16 13 584-01					1	1		1	1						Wire lås Wire lock
	9	16 13 583-01					1	1		1	1						Nålclips Needle clip
	10	16 13 575-01					1	1									Trottel ca 2.0 Throttle
		16 13 576-01								1	1						Trottel ca. 2.5 Throttle
	11	72 41 329-01					4	4		4	4						Skruv M5 x 16 Screw
	12	73 51 146-01					4	4		4	4						Bricka Washer
	13	16 13 569-01					2	2		2	2						Hållare Holder
	14	16 13 448-01					2	2		2	2						Slang Hose
	15	16 13 590-01					1	1		1	1						Gummiskydd Rubber cap
	16	16 13 589-01					1	1		1	1						Startventil kpl Start valve compl.
	17	16 13 594-01					1	1		1	1						Fjäder Spring
	18	16 13 595-01					1	1		1	1						Chokereglage Choke lever
	19	16 13 572-01					1	1		1	1						Fjäder Spring
	20	16 13 573-01					1	1		1	1						Luftskruv Airscrew
	21	16 13 588-01					1	1		1	1						Ställskruv Adjusting screw
	22	16 13 587-01					1	1		1	1						Fjäder Spring
	23	16 13 585-01					1	1		1	1						Nålventil kpl. Needle valve compl.
	24	16 13 585-01					2	2		2	2						Flottörstopp Cap
	25	16 13 566-01					1	1		1	1						Stift Peg
	26	16 13 578-01					2	2		2	2						Flottör Float
	28	16 13 555-01					1	1									Nålmunstycke R4 Needle jet
		16 13 551-01								1	1						Nålmunstycke Q6 Needle jet
	29	16 13 580-01					1	1		1	1						Mellaniskruv Distance screw

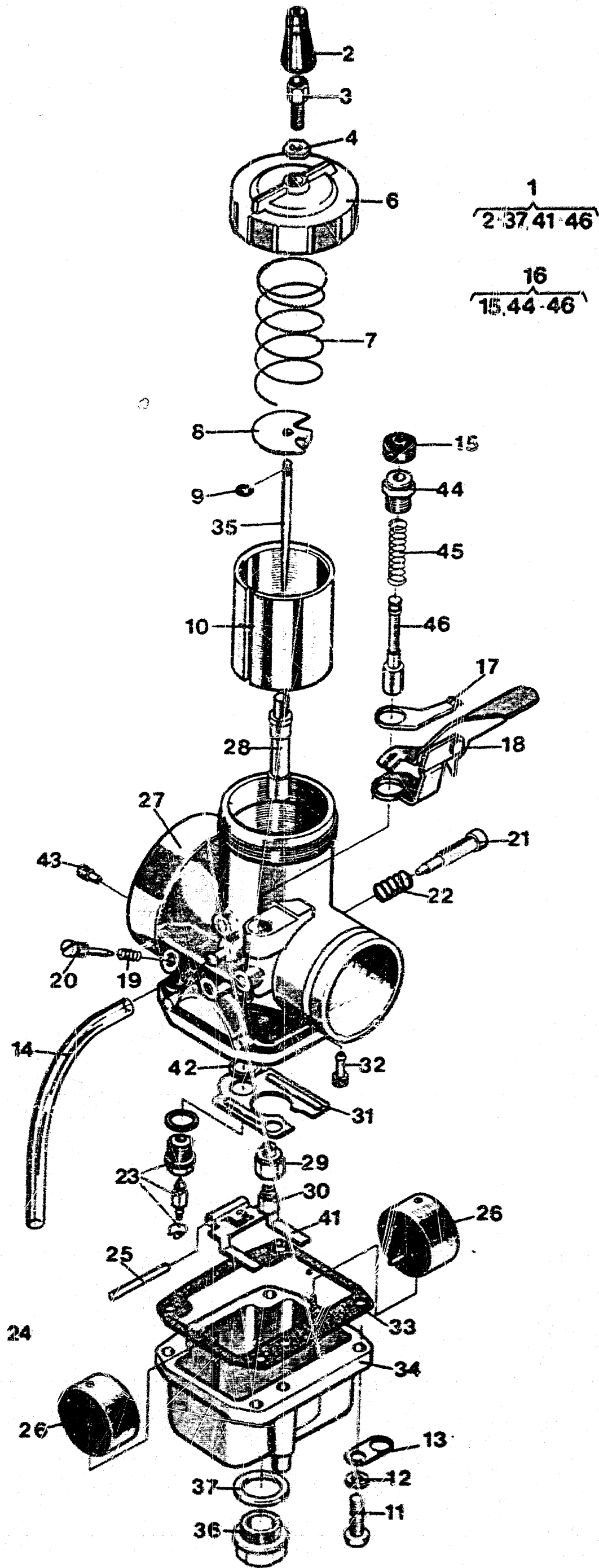


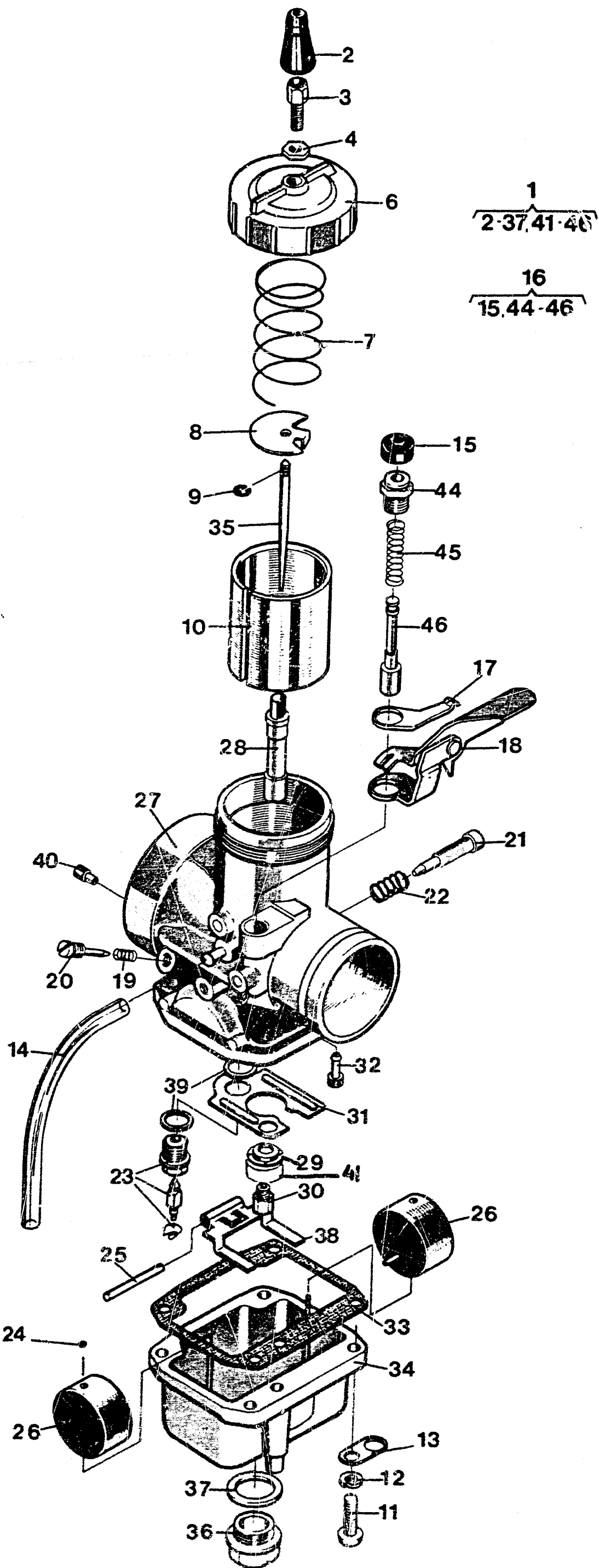


Fig.	Reservdelsnummer Sparepart number	Antal - Quantity													Benämning, Description		
		125			240		250			400		500		400			
		CR	WR	XC	CR	WR	CR	WR	XC	EU WR	US WR	CR	XC	XC			
30	16 13 844-01					1											Huvudmunstycke 70 Main jet
	16 13 559-01									1							Huvudmunstycke 420 Main jet
	16 13 704-01										1						Huvudmunstycke 100 Main jet
	16 13 557-01											1				1	Huvudmunstycke 400 Main jet
31	16 13 586-01					1		1		1	1					1	Skvalplåt Baffle plate
32	16 13 547-01					1		1									Tomgångsmunstycke P.J 50 Pilot jet
	16 13 544-01									1	1					1	Tomgångsmunstycke P.J 35 Pilot jet
33	16 13 543-01					1		1		1	1					1	Packning Gasket
34	16 13 574-01					1		1		1	1					1	Flottörhus Float chamber
35	16 13 647-01					1		1									Nål 6DH2 Needle
	16 13 579-01									1	1					1	Nål 6DH3 Needle
36	16 13 581-01					1		1		1	1					1	Bottenskruv Drain screw
37	16 13 582-01					1		1		1	1					1	Packning Gasket
41	16 13 564-01					1		1		1	1					1	Flottörm Float lever
42	16 13 565-01					2		2		2	2					2	Bricka Washer
43	16 13 568-01					1		1		1	1					1	Luftmunstycke 2.0 Air jet



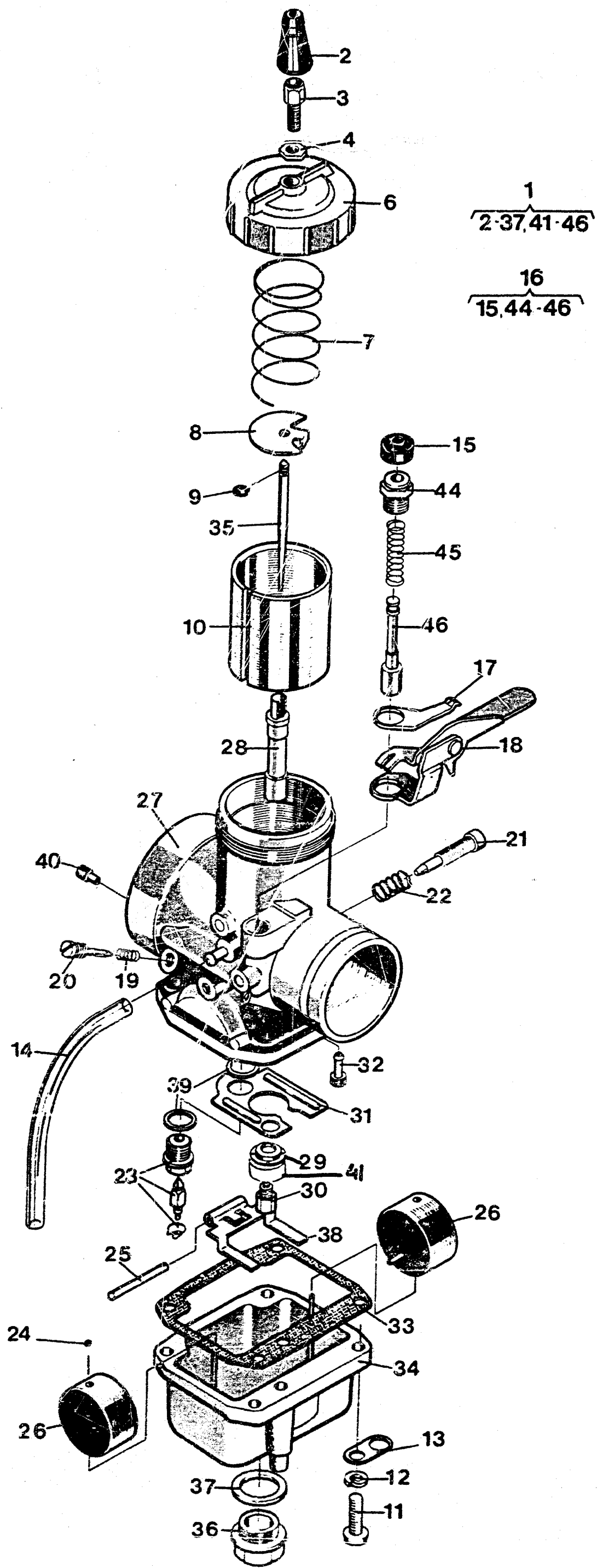
Tillbehör/Accessories

10		Trottlar Throttles
	16 13 575-01 16 13 576-01 16 13 577-01	C.A. 2.0 C.A. 2.5 C.A. 3.0
28		Nålmunstycke Needle jets
	16 13 549-01 16 13 550-01 16 13 551-01 16 13 552-01 16 13 553-01 16 13 554-01 16 13 555-01 16 13 642-01 16 13 699-01	N.J Q-4 N.J Q-5 N.J Q-6 N.J Q-8 N.J R-0 N.J R-2 N.J R-4 N.J R-6 N.J R-8
30		Huvudmunstycke Main jets
	16 13 556-01 16 13 557-01 16 13 558-01 16 13 559-01 16 13 561-01 16 13 562-01 16 13 563-01 16 13 641-01 16 13 694-01 16 13 695-01 16 13 696-01 16 13 697-01 16 13 698-01 16 13 683-01 16 13 684-01 16 13 685-01 16 13 686-01	M.J 390 M.J 400 M.J 410 M.J 420 M.J 440 M.J 450 M.J 460 M.J 470 M.J 480 M.J 490 M.J 500 M.J 530 M.J 560 M.J 350 M.J 360 M.J 370 M.J 380
32		Tomgångsmunstycke Idling jets
	16 13 544-01 16 13 545-01 16 13 546-01 16 13 547-01 16 13 548-01	P.J 35 P.J 40 P.J 45 P.J 50 P.J 55





N	Fig.	Detailnummer Partnummer	Antal Quantity	Benämning Description
N	1	16 13 813-01	1	Förgasare Mikuni Ø40. Carburettor 500
	2	16 13 128-01	1	Skyddshylsa. Protection sleeve
	3	16 13 916-01	1	Ställskruv. Adjuster
	4	16 13 908-01	1	Mutter. Nut
	6	16 13 653-01	1	Lock. Cover
	7	16 13 654-01	1	Fjäder. Spring
	8	16 13 662-01	1	Wire lås. Wire lock
	9	16 13 661-01	1	Nålclips. Needle clip
	10	16 13 679-01	1	Trottle 2.5. Throttle
	11	72 41 329-01	4	Skruv. Screw
	12	73 51 146-01	4	Bricka. Washer
	13	16 13 589-01	2	Hållare. Holder
	14	16 13 448-01	2	Slang. Hose
	15	16 13 665-01	1	Gummiskydd. Rubber cap
	16	16 13 664-01	1	Startventil. Start valve compl.
	17	16 13 594-01	1	Fjäder. Spring
	18	16 13 595-01	1	Chokeraglage. Choke lever
	19	16 13 655-01	1	Fjäder. Spring
	20	16 13 573-01	1	Luftskruv. Air screw
	21	16 13 588-01	1	Ställskruv. Idle adjuster
	22	16 13 587-01	1	Fjäder. Spring
	23	16 13 565-01	1	Nålventil, kpl. Needle valve, compl.
	24	16 13 585-01	2	Flottörstopp. Cap
	25	16 13 566-01	1	Stift. Peg
	26	15 13 578-01	2	Flottör. Float
	28	16 13 671-01	1	Nålmunstycke, AA-5. Needle jet
	29	16 13 658-01	1	Bricka. Washer
	30	16 13 683-01	1	Huvudmunstycke 350. Main jet
	31	16 13 663-01	1	Skvalplåt. Baffle plate
	32	15 13 548-01	1	Tombångsmunstycke 55. Pilot jet
	33	16 13 543-01	1	Packning. Gasket
	34	16 13 657-01	1	Flottörhus. Float chamber
	35	16 13 681-01	1	Nål 7DH3. Needle
	36	16 13 659-01	1	Bottenplugg. Drain plug
	37	16 13 660-01	1	Packning. Gasket
	38	16 13 564-01	1	Flottörm. Float lever
	39	16 13 567-01	2	Bricka. Washer
	40	16 13 676-01	1	Luftmunstycke, AJ 0.7. Air jet
	41	16 13 819-01	1	Bricka. Washer



Tillbehör/Accessories

10	16 13 677-01 16 13 678-01 16 13 679-01 16 13 680-01	Throttlar Throttles C.A. 1.5 C.A. 2.0 C.A. 2.5 C.A. 3.0
28	16 13 668-01 16 13 669-01 16 13 670-01 16 13 671-01 16 13 672-01 16 13 673-01 16 13 674-01 16 13 675-01	Nålmunstycke Needle jet NJ Z-0 Z-5 AA-0 AA-5 BB-0 BB-5 CC-0 CC-5
30	16 13 682-01 16 13 683-01 16 13 684-01 16 13 685-01 16 13 686-01 16 13 556-01 16 13 557-01 16 13 558-01 16 13 559-01 16 13 560-01 16 13 561-01 16 13 562-01 16 13 563-01 16 13 641-01	Huvudmunstycke Main jet MJ 340 MJ 350 MJ 360 MJ 370 MJ 380 MJ 390 MJ 400 MJ 410 MJ 420 MJ 430 MJ 440 MJ 450 MJ 460 MJ 470
32	16 13 544-01 16 13 545-01 16 13 546-01 16 13 547-01 16 13 548-01	Tomgångsmunstycke Idling jet P.J 35 P.J 40 P.J 45 P.J 50 P.J 55

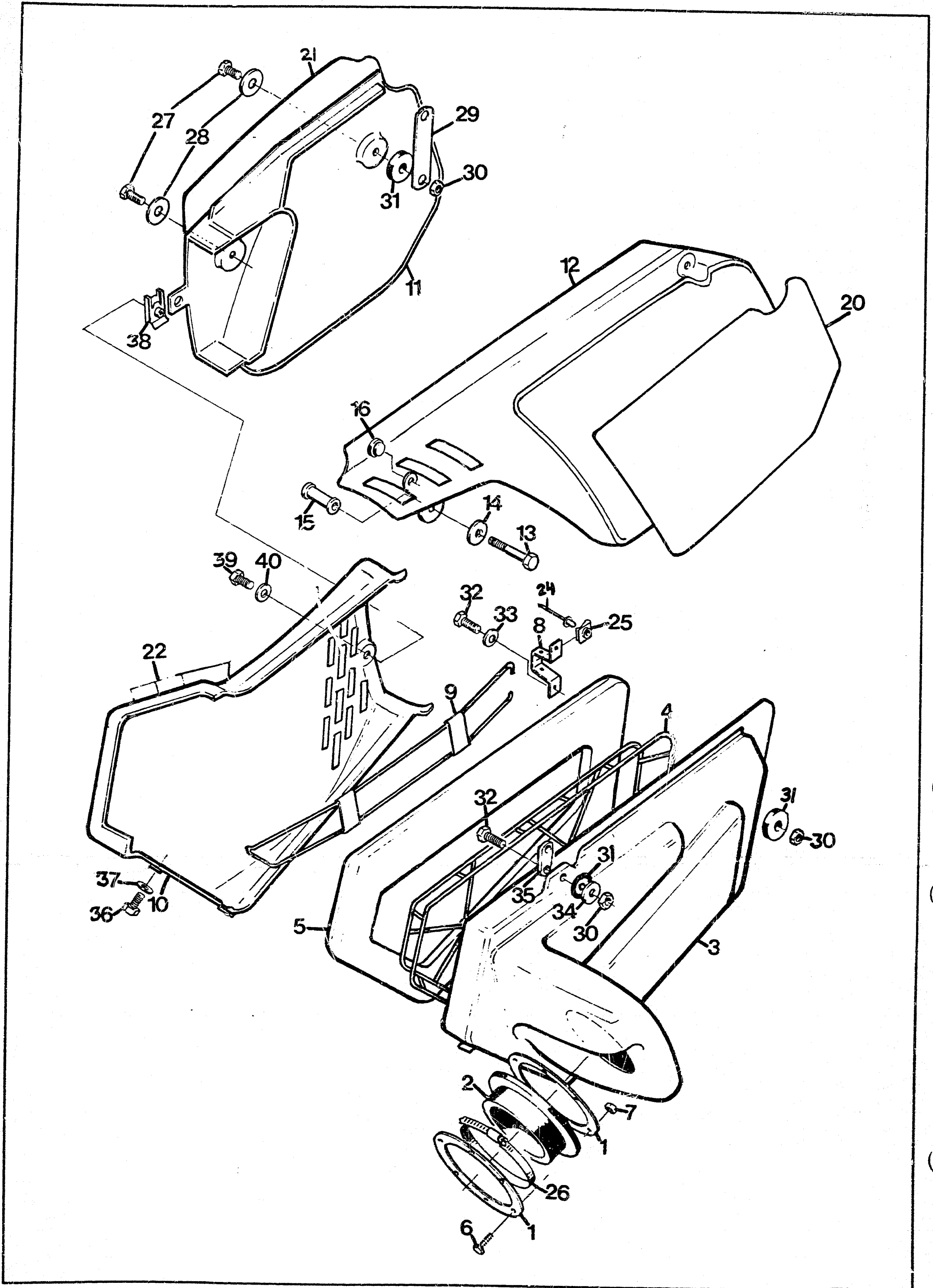




Fig.	Reservdelsnummer Sparepart number	Antal - Quantity													Benämning, Description
		125			240		250			400		500		400	
		CR	WR	XC	CR	WR	CR	WR	XC	EU WR	US WR	CR	XC	XC	
1	15 15 039-01	2	1	2	2	2	2	2	2	2	2	2	2	2	Stödbricka, Support washer
2	15 15 034-01 15 14 984-02 15 14 462-02	1	1	1	1	1	1	1	1	1	1	1	1	1	Anslutning, Connection Anslutning, Connection Anslutning, Connection
3	15 15 036-01	1	1	1	1	1	1	1	1	1	1	1	1	1	Luftburk, Air filter box
4	15 14 172-01	1	1	1	1	1	1	1	1	1	1	1	1	1	Filterkorg, Air filter basket
5	15 14 171-01	1	1	1	1	1	1	1	1	1	1	1	1	1	Luftfilter, Airfilter
6	72 31 328-51	6	6	6	6	6	6	6	6	6	6	6	6	6	Skruv M5 x 14, Screw
7	73 22 114-01	6	6	6	6	6	6	6	6	6	6	6	6	6	Mutter M5, Nut
8	15 15 037-01	1	1	1	1	1	1	1	1	1	1	1	1	1	Hållare, Holder
9	15 15 038-01	1	1	1	1	1	1	1	1	1	1	1	1	1	Bygel, Clamp
N 10	15 15 823-01	1	1	1	1	1	1	1	1	1	1	1	1	1	Lock, Cover
N 11	15 15 822-01	1	1	1	1	1	1	1	1	1	1	1	1	1	Sidopanel höger Sidepanel right
12	15 15 804-01 15 15 818-01	1		1	1		1		1		1	1		1	Sidopanel vänster Sidepanel left Sidopanel vänster Sidepanel left
13	72 52 381-53	1	1	1	1	1	1	1	1	1	1	1	1	1	Skruv M6 x 55, Screw
14	73 41 156-01	1	1	1	1	1	1	1	1	1	1	1	1	1	Bricka, Washer
15	15 19 767-02 15 19 767-01	1	1	1	1		1		1		1	1	1	1	Distans, Spacer Distans, Spacer
16	15 15 810-01	3	3	3	3	3	3	3	3	3	3	3	3	3	Värmskydd, Heatprotector
17	72 52 372-51	1		1	1		1		1		1	1		1	Skruv M6 x 25, Screw
18	15 13 734-01	1		1	1		1		1		1	1		1	Bricka, Washer
19	15 13 706-01	1		1	1		1		1		1	1		1	Mutter M6, Nut
20	15 15 808-01 15 15 819-01	1		1	1		1		1		1	1		1	Nummerdekal, Decal Nummerdekal, Decal
N 21	15 15 824-01	1	1	1	1	1	1	1	1	1	1	1	1	1	Nummerdekal, Decal
22	15 17 849-02 15 17 849-03 15 17 849-04 15 17 849-05 15 17 849-06	1	1	1		1	1		1	1		1	1	1	Dekal 125, Decal Dekal 240, Decal Dekal 250, Decal Dekal 400, Decal Dekal 500, Decal
24	51 20 300-01	1	1	1	1	1	1	1	1	1	1	1	1	1	Popnit, Poprivet
25	15 14 129-01	1	1	1	1	1	1	1	1	1	1	1	1	1	Mutter, Nut
26	16 13 539-01 15 14 476-01	1	1	1	1	1	1	1	1	1	1	1	1	1	Klämma, Clamp Klämma, Nut
27	72 52 368-51	2	2	2	2	2	2	2	2	2	2	2	2	2	Skruv M6 x 16, Screw
28	15 13 734-01	2	2	2	2	2	2	2	2	2	2	2	2	2	Bricka, Washer
29	15 15 806-01	1	1	1	1	1	1	1	1	1	1	1	1	1	Stag, Support
30	73 22 116-01	3	3	3	3	3	3	3	3	3	3	3	3	3	Mutter M6, Nut
31	15 18 121-01	3	3	3	3	3	3	3	3	3	3	3	3	3	Gummibricka, Rubberwasher
32	72 52 371-51	2	2	2	2	2	2	2	2	2	2	2	2	2	Skruv, M6 x 22, Screw
33	15 13 734-01	1	1	1	1	1	1	1	1	1	1	1	1	1	Bricka, Washer
34	15 13 709-01	2	2	2	2	2	2	2	2	2	2	2	2	2	Bricka, Washer
35	15 15 803-01	1	1	1	1	1	1	1	1	1	1	1	1	1	Fäste, Support
36	72 52 372-51	1	1	1	1	1	1	1	1	1	1	1	1	1	Skruv M6 x 25, Skruv
37	15 13 709-01	1	1	1	1	1	1	1	1	1	1	1	1	1	Bricka, Washer
N 38	15 13 745-01	2	2	2	2	2	2	2	2	2	2	2	2	2	Snabbmutter, Nut
39	72 52 368-51	1	1	1	1	1	1	1	1	1	1	1	1	1	Skruv M6 x 16, Screw
40	73 44 926-01	1	1	1	1	1	1	1	1	1	1	1	1	1	Bricka, Washer

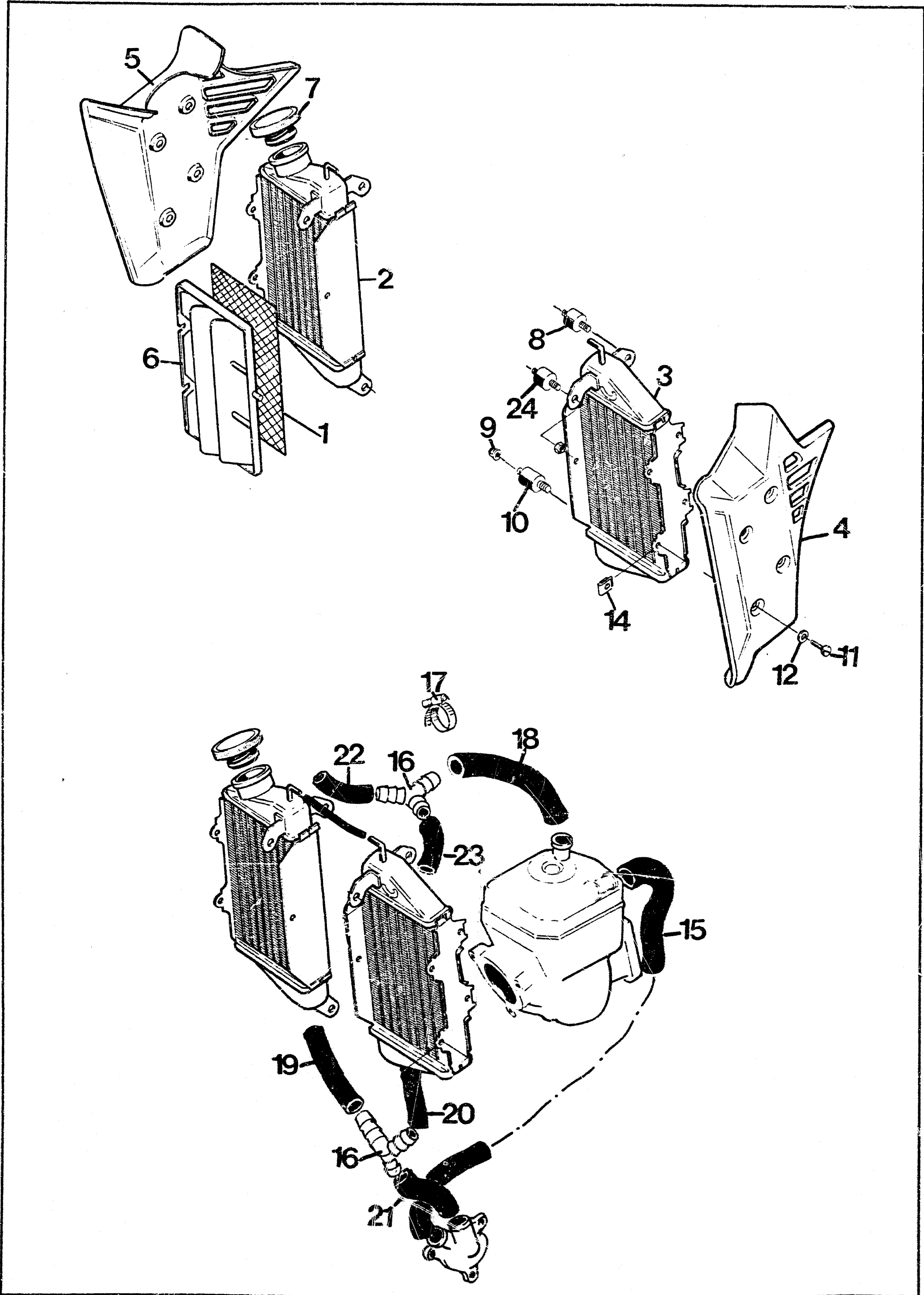


Fig.	Reservdelnummer Sparepart number	Antal - Quantity													Benämning, Description
		125			240		250			400		500		400	
		CR	WR	XC	CR	WR	CR	WR	XC	EU WR	US WR	CR	XC	XC	
1	15 13 905-01	2	2	2	2	2	2	2	2	2	2	2	2	2	Kylargaller, Screen
2	15 13 902-01 15 14 142-01	1	1	1	1	1	1	1	1	1	1	1	1	1	Kylare, Radiator Kylare, Radiator
3	15 13 904-01 15 14 141-01	1	1	1	1	1	1	1	1	1	1	1	1	1	Kylare, Radiator Kylare, Radiator
4	15 13 908-01	1	1	1	1	1	1	1	1	1	1	1	1	1	Spoiler vänster, Spoiler left
5	15 13 909-01	1	1	1	1	1	1	1	1	1	1	1	1	1	Spoiler höger, Spoiler right
6	15 13 906-01 15 14 144-01	2	2	2	2	2	2	2	2	2	2	2	2	2	Stänkskydd, Splash shield Stänkskydd, Splash shield
7	15 14 126-01	1	1	1	1	1	1	1	1	1	1	1	1	1	Kylarlock, Radiator lock
8	15 17 090-04	4	4	4	4	4	4	4	4	4	2	2	2	2	Vibrationsdämpare, Damper
9	15 13 706-01	8	8	8	8	8	8	8	8	8	8	8	8	8	Mutter M6, Nut
10	15 17 090-05	2	2	2	2	2	2	2	2	2	2	2	2	2	Vibrationsdämpare, Damper
11	72 95 414-01 72 31 366-01	8	8	8	8	8	8	8	8	8	8	8	8	8	Skruv, Screw Skruv, Screw
12	73 44 926-01	6	6	6	6	6	6	6	6	6	6	6	6	6	Bricka, Washer
14	15 13 907-01 15 14 129-01	8	8	8	8	8	8	8	8	8	6	6	6	6	Snabbmutter, Nut Snabbmutter, Nut
15	16 17 965-01				1	1	1	1	1	1	1	1	1	1	Kylarslang, Hose
16	15 14 149-01	2	2	2	2	2	2	2	2	2	2	2	2	2	Förgrening, Y-branch
17	15 13 740-01	12	12	12	12	12	12	12	12	12	12	12	12	12	Slangklämma, Hose clamp
18	15 13 916-01 15 13 916-02 15 13 916-03				1	1	1	1	1	1	1	1	1	1	Kylarslang, Hose Kylarslang, Hose Kylarslang, Hose
19	15 13 914-01 15 13 917-01	1	1	1		1	1	1	1	1	1	1	1	1	Kylarslang, Hose Kylarslang, Hose
20	15 13 915-01 15 13 916-04	1	1	1		1	1	1	1	1	1	1	1	1	Kylarslang, Hose Kylarslang, Hose
21	15 13 918-01 15 13 919-01	1	1	1		1	1	1	1	1	1	1	1	1	Kylarslang, Hose Kylarslang, Hose
22	15 13 913-01	1	1	1		1	1	1	1	1	1	1	1	1	Kylarslang, Hose
23	15 13 913-02	1	1	1		1	1	1	1	1	1	1	1	1	Kylarslang, Hose
24	15 17 090-04									2	2	2	2	2	Vibrationsdämpare, Damper

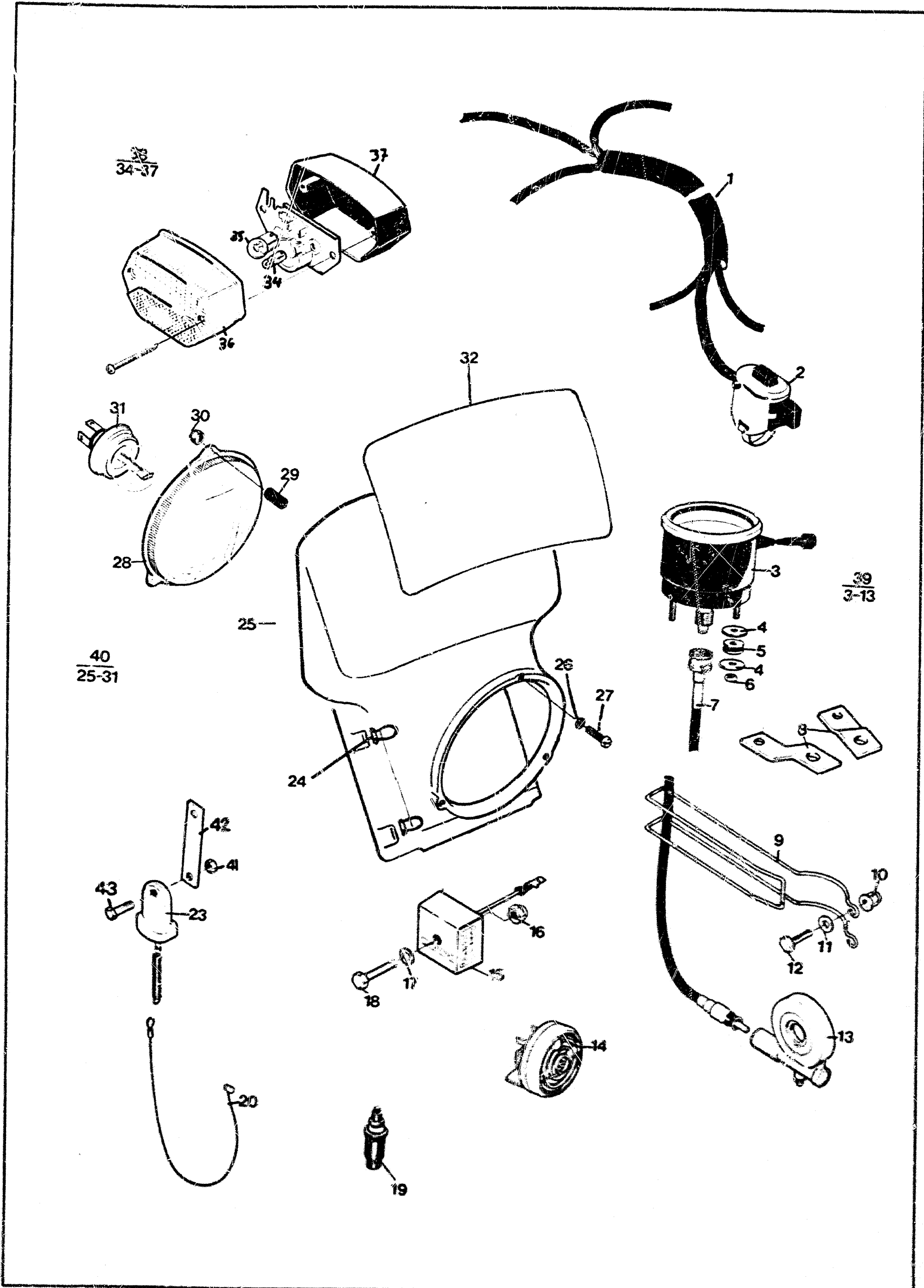




Fig.	Reservdelsnummer Sparepart number	Antal - Quantity													Benämning, Description	
		125			240		250			400		500		400		
		CR	WR	XC	CR	WR	CR	WR	XC	EU WR	US WR	CR	XC	XC		
N	1	15 17 527-01		1			1				1					Kabelmatta. Harness
		15 17 528-01						1			1					Kabelmatta. Harness
	2	15 17 292-01		1			1				1					Omkopplare. Switch
	3	15 17 493-02		1			1				1					Hastighetsmätare, km/h
		15 17 493-03							1			1				Speedometer Hastighetsmätare, mph Speedometer
	4	15 13 703-01		4			4				4	4				Bricka 8.5 x 22. Washer
	5	15 19 705-01		2			2				2	2				Bussning. Bushing
	6	73 22 114-01		2			2				2	2				Mutter M5. Nut
	7	15 17 495-01		1			1				1	1				Hastighetsmätarwire Speedometer wire
	8	15 17 506-01		2			2				2	2				Fäste Attachment
	9	15 17 306-01		1			1				1	1				Bygel Wire protector
	10	73 22 116-51		2			2				2	2				Mutter M6. Nut
	11	15 13 734-01		2			2				2	2				Bricka. Washer
	12	72 52 371-51		2			2				2	2				Skruv M6 x 22. Screw
N	13	15 17 523-01		1			1				1	1				Vinkelväxel. Drive
	14	15 17 420-01		1			1				1					Signal. Horn
	15	16 14 757-01		1			1				1	1				Spänningsregulator Voltage regulator
	16	73 22 116-01		2			2				2	2				Mutter M6. Nut
	17	73 41 153-01		2			2				2	2				Bricka 6.4 x 14 Washer
	18	72 52 376-51		1			1				1	1				Skruv M6 x 35. Screw
	19	15 17 328-01		1			1				1					Bromsljuskontakt Brake light switch
	20	15 17 518-01		1			1				1					Wire
	23	15 17 517-01		1			1				1					Bromsljuskontakt Brake light switch
	24	15 17 516-01		3			3				3	3				O-ring 84.5 x 3
	25	15 17 511-01		1			1				1	1				Kåpa. Head light
	26	73 41 146-01		3			3				3	3				Bricka 5.3 x 10. Washer
	27	72 31 289-01		3			3				3	3				Skruv M5 x 25. Screw
	28	15 17 488-01		1			1				1	1				Reflektor. Reflector
	29	15 14 078-05		3			3				3	3				Slang. Hose
	30	72 22 114-01		3			3				3	3				Mutter M5. Nut
	31	15 19 615-01		1			1				1	1				Glödlampa 12V—H4 Bulb
	32	15 19 787-01		1			1				1	1				Nummer oval, gul Number oval, yellow
N	33	72 31 328-51		2			2				2	2				Skruv M5 x 10. Screw
N	34	15 17 533-01		1			1				1	1				Glödlampa 12V—4W Bulb
	35	15 19 616-01		1			1				1					Glödlampa 12V—10W Bulb
N	36	15 17 888-01		1			1				1	1				Lyktglas. Lens
	38	15 17 530-01														Baklykta. Tail light
N	39	15 17 526-01						1				1				Hastighetsmätare anläggning mph Speedometer kit
		15 17 526-02		1			1					1				Hastighetsmätare anläggning km/h Speedometer kit
	40	15 17 515-01		1			1				1	1				Strålkastare kpl. Head light compl.
	41	73 22 112-01		1			1				1					Mutter M4. Nut
N	42	15 17 230-01		1			1				1					Stag. Attachment
	43	72 52 297-51		1			1				1					Skruv M4 x 25. Screw

