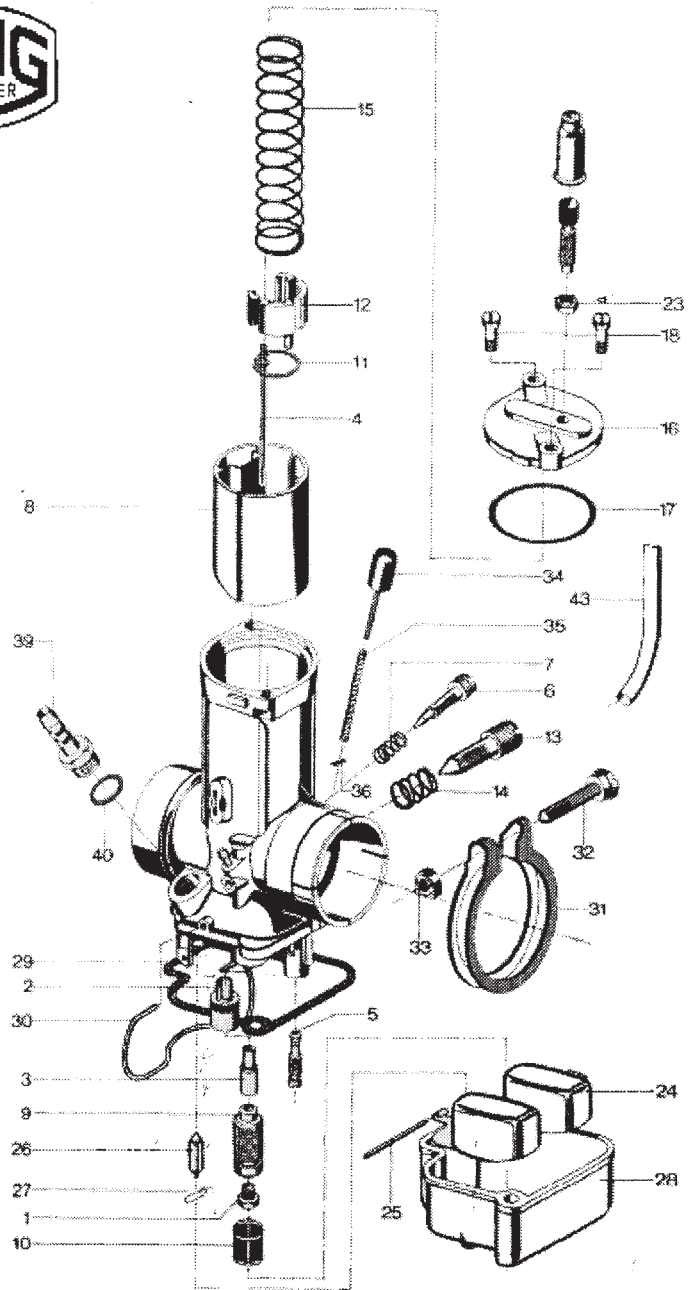


Rebuild your Husqvarna Bing Carburetor

The purpose of rebuilding your Bing is:

- 1) To clean all passageways in body of Carb and low and high speed jets. This is the most important item! Dipping in automotive carb cleaner is best. Spraying with automotive carb cleaner is usually not sufficient. The tiny hole in the main throat, to the rear of the slide, **MUST BE CLEAR AND CLEAN.**
- 2) Replace the gaskets and o-rings (#17, #29, #40). Gently scrap away residue or chemically clean residue. Do Not use sealants, gasket spray, RTV, silicone or any product at all on new gaskets!
- 3) Replace float needle #26. You must use a wire pull off style float needle! This wire #27 fits over the tongue on float.
- 4) Replace float pivot pin #25. If your body has been worked many times, sometimes the float pin knurl will not engage the bore hole and stay in place. Lightly flatten this knurled end with a light blow from a hammer (with the pin laying on a flat metal surface) to increase it's diameter by "ovaling" it. This requires a light touch and is usually easily screwed up by the first time Carb worker. One blow is enough, not a blacksmith smash fest.
- 5) replace worn pieces such as needle, needle jet, floats.

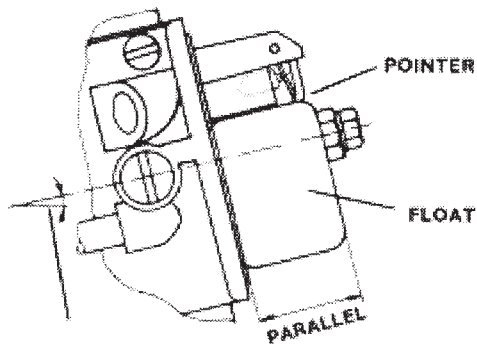


Set It and Forget It

Please Note - A worn float needle will not regulate the flow of fuel into the carburettor no matter where you set the float height.

1. The idea is to get the float set at parallel to the bottom surface of the carb, just as the float needle seats, but before the spring in the float needle starts to compress. See figure below.
2. If you just hold the carb with bottom up, it will compress this float spring and not give an accurate float level setting.
3. Tilt the carb past horizontal approximately 15 degrees or the amount required to "seat the float needle" but not compress the tiny spring loaded tit on the tail of the float needle. If the float is pretty close to parallel, then you are fine. **This float check is usually a check and that is all, because it is rare to find floats out of a reasonable range.** If it is not satisfactory, then bend the tab as needed to set this float as shown.
4. The plastic floats must be parallel with each other. A little, gentle twisting can make this adjustment. If you twist too hard, it may break the floats off the hinge metal.

This float level setting is the same on all Husqvarna Bing Model 54 and 84, concentric float chamber, 36mm and 32mm carbs.



APPROXIMATELY 15°

this figure shows

Clip Position #3
FROM THE TOP!

generally #2
position is best

